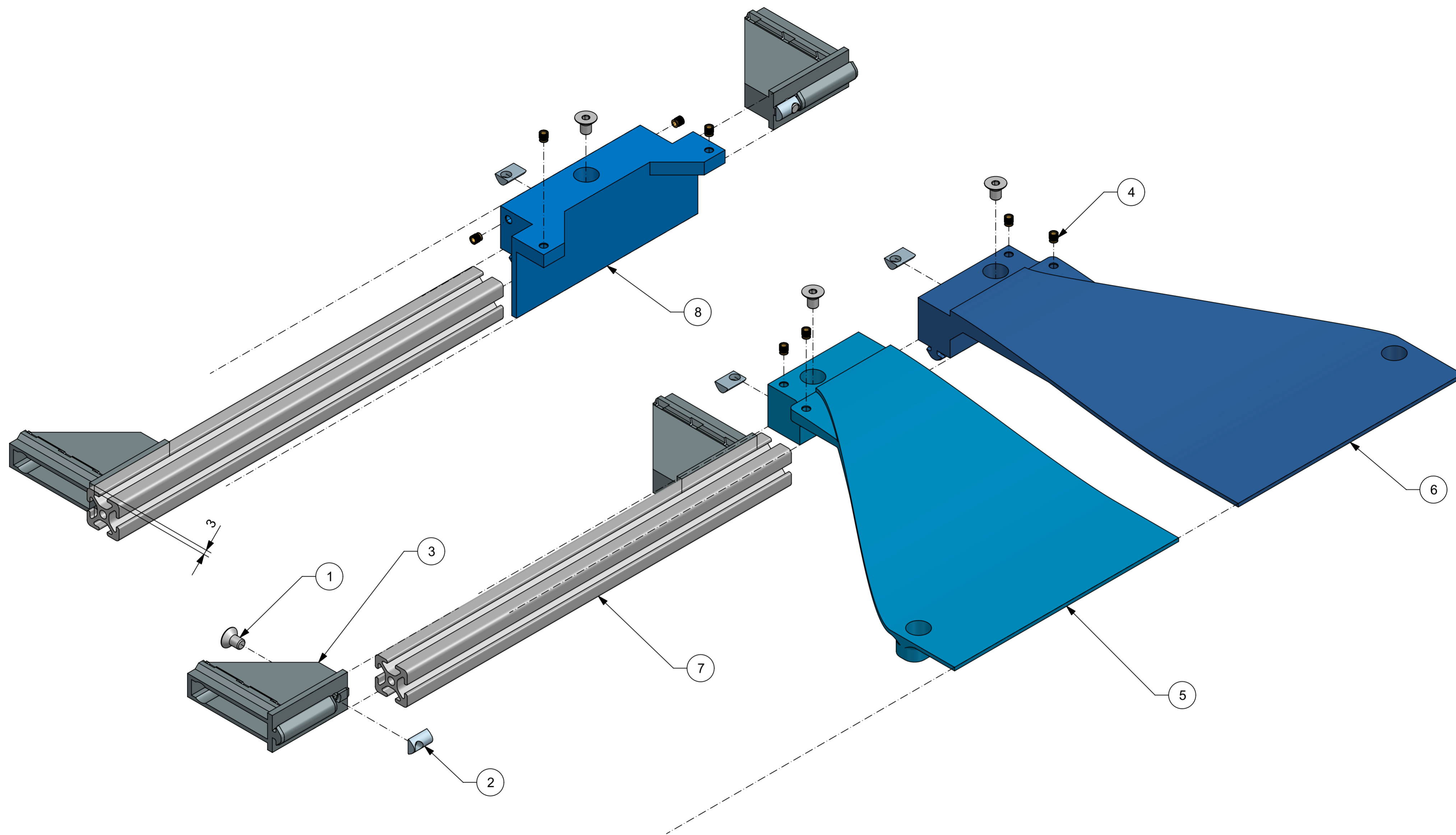


| | | |
|-------|--|-----|
| 29 | CWC-TS0113-P04_NOZZLE WALL CLIP REAR | 1 |
| 28 | CWC-TS0112-P04_NOZZLE WALL CLIP FRONT | 1 |
| 27 | CWC-SP0014-P01_ITEM PLATFORMCLIP PLATFORM ADAPTER MIRRORED | 1 |
| 26 | CWC-SP0013-P01_ITEM PLATFORMCLIP PLATFORM ADAPTER | 1 |
| 25 | CWC-ST1006-P03_FRAME INSIDE WIDTH | 1 |
| 24 | CWC-TS0110-P04_HONEYCOMB | 3 |
| 23 | CWC-SP0015-P01_ITEM COLUMNCLIP | 4 |
| 22 | CWC-SP0011-P01_CORNERCLIP FEMALE | 8 |
| 21 | CWC-SP0010-P01_CORNERCLIP MALE | 8 |
| 20 | CWC-TS0114-P04_DIFFUSER FLOOR FRONT | 1 |
| 19 | CWC-TS0115-P04_DIFFUSER FLOOR REAR | 1 |
| 18 | CWC-TS0101-P04_PLEXIGLASS FLOOR FRONT | 1 |
| 17 | CWC-TS0102-P04_PLEXIGLASS FLOOR BACK | 1 |
| 16 | ABDECKKAPPE PROFIL 5 ITEM 0.0.370.09 | 4 |
| 15 | CWC-ST1007-P04_ITEM FRAME TS COLUMN | 4 |
| 14 | NUTSTEIN M5 PROFIL 5 ITEM 0.0.425.11 | 37 |
| 13 | BN616-1208187 M5X8 SCREW HEX COUNTERSUNK | 37 |
| 12 | CWC-ST1009-P04_ITEM FRAME TS WIDTH | 2 |
| 11 | CWC-ST1008-P03_FRAME TS LENGTH | 2 |
| 10 | CWC-TS0106-P04_TS HOLDER FRONT | 1 |
| 9 | BN616-1076469 M3X8 SCREW HEX COUNTERSUNK | 12 |
| 8 | BN610-1233114 M3X8 SCREW HEX SOCKET | 6 |
| 7 | BN715-1777491 FLAT WASHER M3 | 6 |
| 6 | CWC-TS0109-P04_DIFFUSER WALL REAR | 1 |
| 5 | CWC-TS0108-P04_DIFFUSER WALL FRONT | 1 |
| 4 | BN37885-3794588 M3 THREADED INSERT | 18 |
| 3 | CWC-TS0105-P03_NOZZLE FLOOR | 1 |
| 2 | CWC-TS0104-P03_NOZZLE WALL REAR | 1 |
| 1 | CWC-TS0103-P03_NOZZLE WALL FRONT | 1 |
| PC NO | PART NAME | QTY |

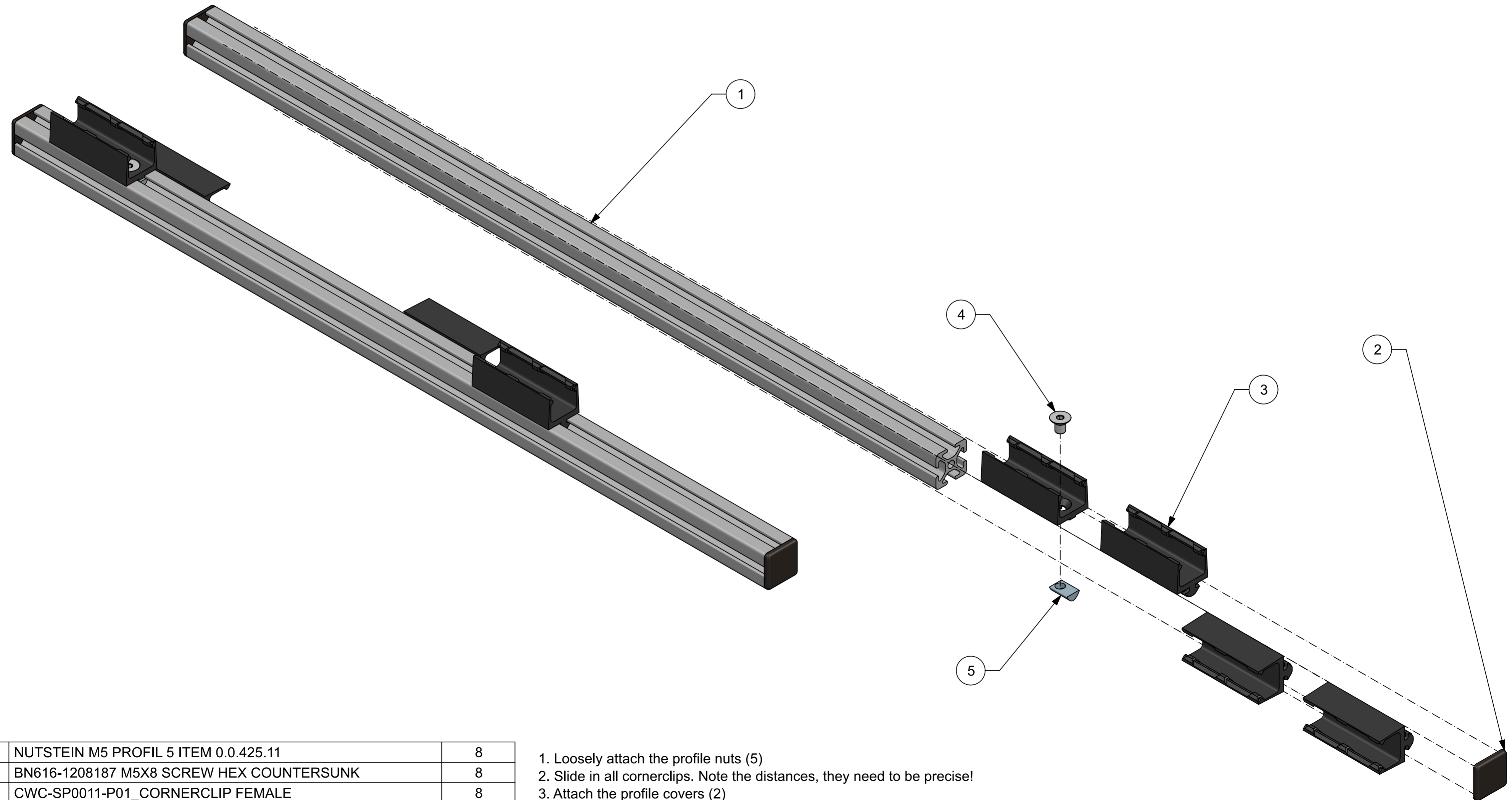
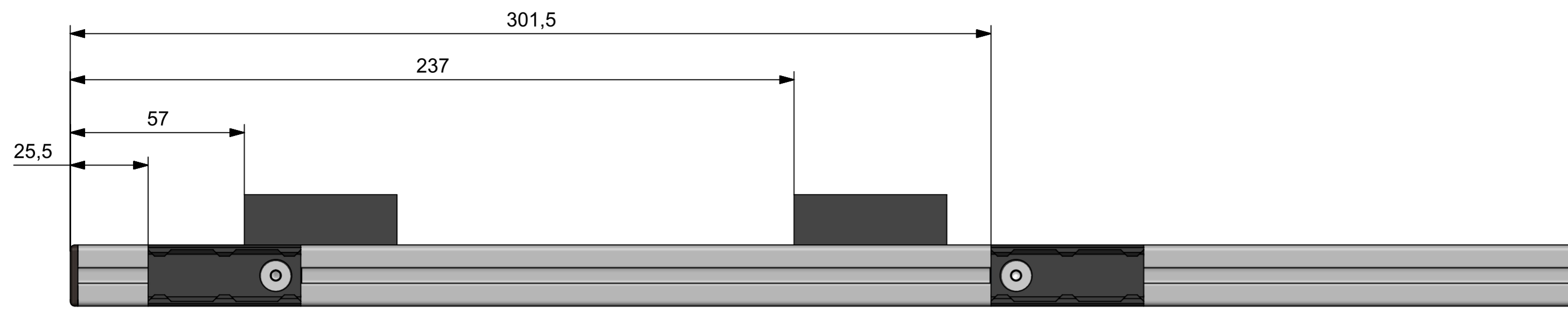
Necessary Tools:

- Rubber Mallet
- Allen Keyset
- Soldering iron (for threaded inserts)
- Countersinking Drill



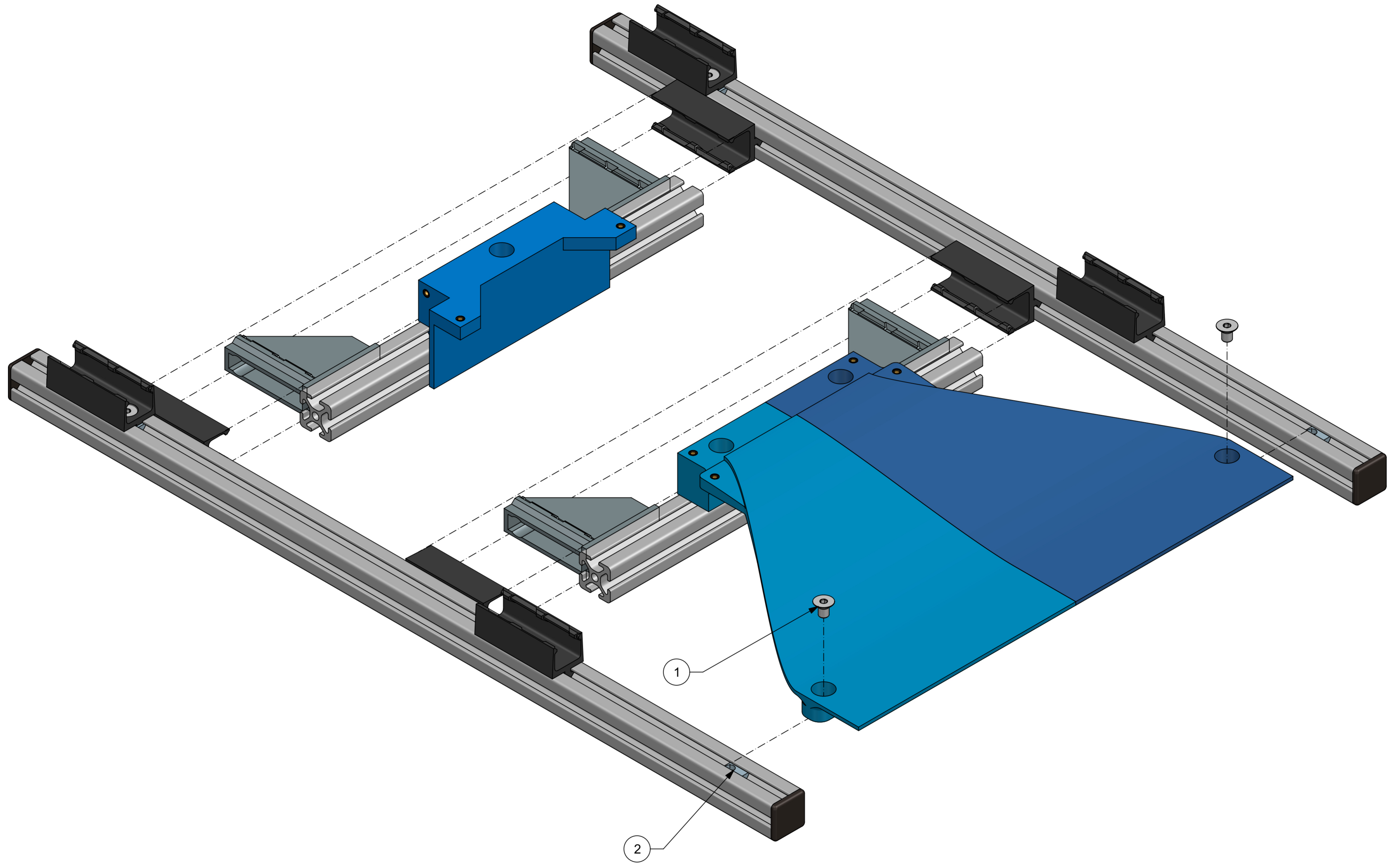
| | | |
|-------|--|-----|
| 8 | CWC-TS0106-P04_TS HOLDER FRONT | 1 |
| 7 | CWC-ST1009-P04_ITEM FRAME TS WIDTH | 2 |
| 6 | CWC-TS0115-P04_DIFFUSER FLOOR REAR | 1 |
| 5 | CWC-TS0114-P04_DIFFUSER FLOOR FRONT | 1 |
| 4 | BN37885-3794588 M3 THREADED INSERT | 8 |
| 3 | CWC-SP0010-P01_CORNERCLIP MALE | 4 |
| 2 | NUTSTEIN M5 PROFIL 5 ITEM 0.0.425.11 | 7 |
| 1 | BN616-1208187 M5X8 SCREW HEX COUNTERSUNK | 7 |
| PC NO | PART NAME | QTY |

1. Install the threaded inserts (4) using a soldering iron.
2. Loosely attach the profile nuts (2).
3. Slide in the cornerclips (3). Note the 3mm gap!
4. Slide in the diffuser floor (5, 6) and TS holder (8). They have to be centered!



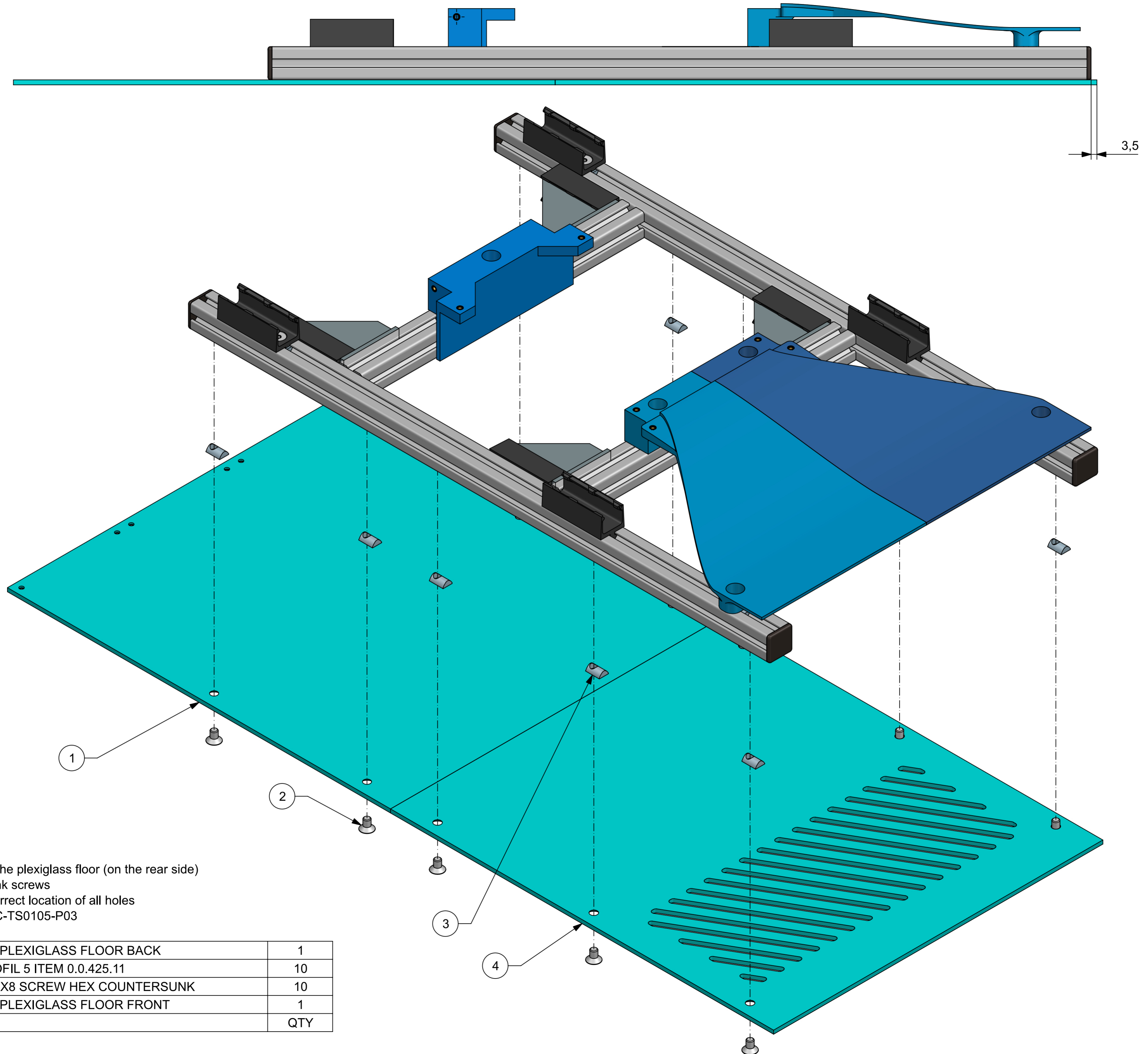
| | | |
|-------|--|-----|
| 5 | NUTSTEIN M5 PROFIL 5 ITEM 0.0.425.11 | 8 |
| 4 | BN616-1208187 M5X8 SCREW HEX COUNTERSUNK | 8 |
| 3 | CWC-SP0011-P01_CORNERCLIP FEMALE | 8 |
| 2 | ABDECKKAPPE PROFIL 5 ITEM 0.0.370.09 | 4 |
| 1 | CWC-ST1008-P03_FRAME TS LENGTH | 2 |
| PC NO | PART NAME | QTY |

1. Loosely attach the profile nuts (5)
2. Slide in all cornerclips. Note the distances, they need to be precise!
3. Attach the profile covers (2)



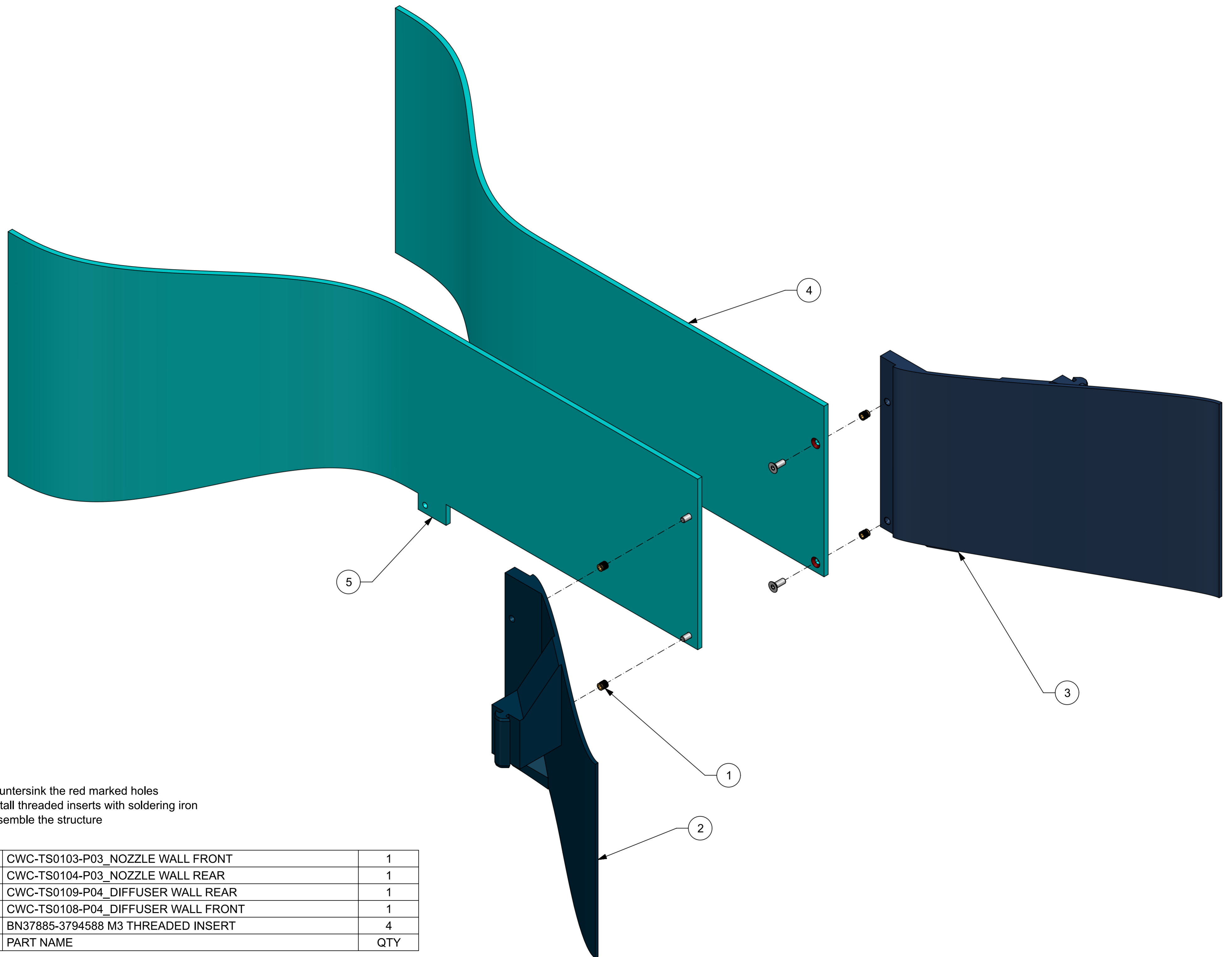
| | | |
|-------|--|-----|
| 2 | NUTSTEIN M5 PROFIL 5 ITEM 0.0.425.11 | 2 |
| 1 | BN616-1208187 M5X8 SCREW HEX COUNTERSUNK | 2 |
| PC NO | PART NAME | QTY |

1. Connect all item bars
2. Insert the profile nuts (2) and tighten the screw (1)



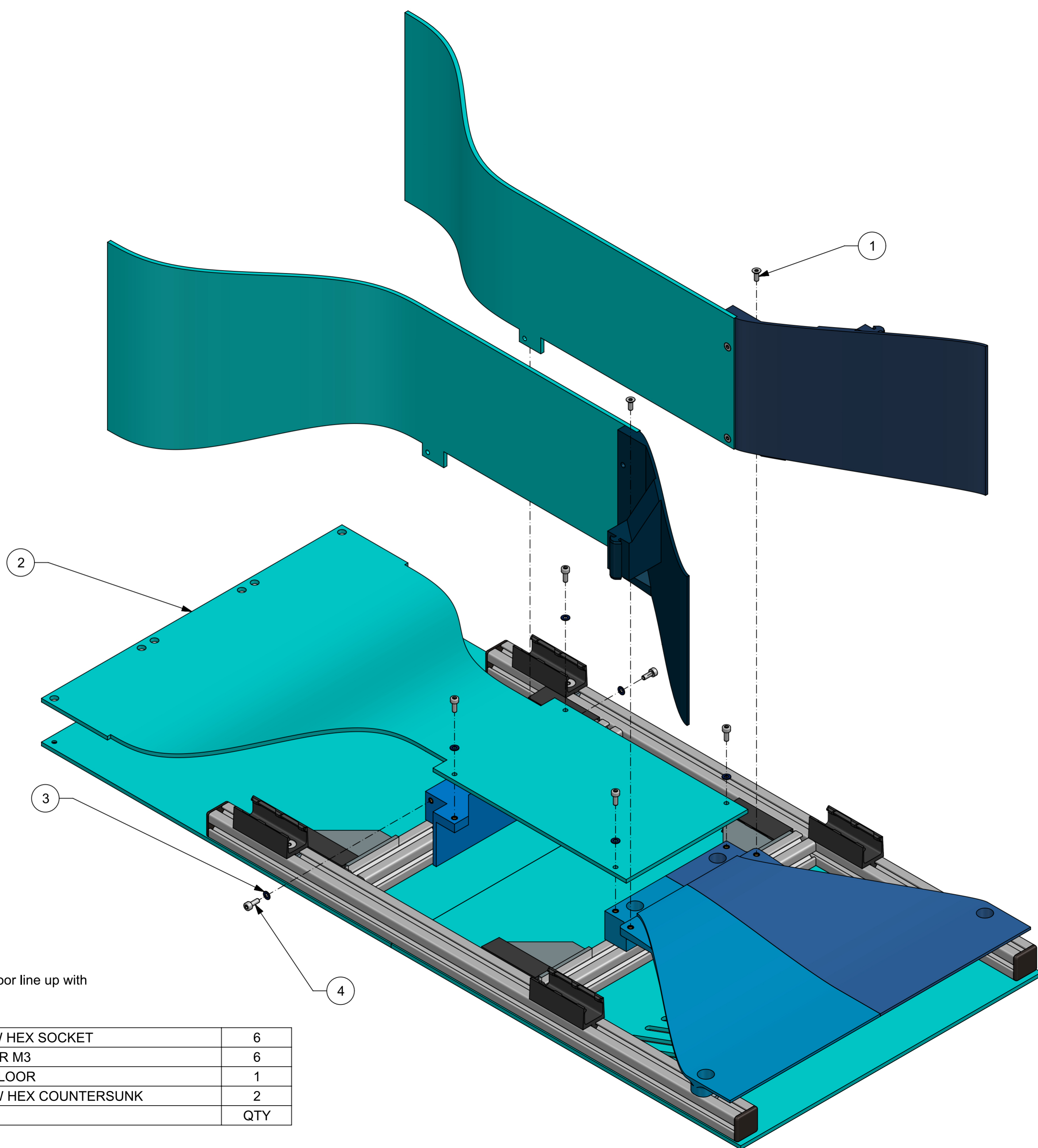
1. Countersink all holes of the plexiglass floor (on the rear side) for M3 resp. M5 countersunk screws
2. After assembly, check correct location of all holes using the nozzle floor, CWC-TS0105-P03

| | | |
|-------|--|-----|
| 4 | CWC-TS0102-P04_PLEXIGLASS FLOOR BACK | 1 |
| 3 | NUTSTEIN M5 PROFIL 5 ITEM 0.0.425.11 | 10 |
| 2 | BN616-1208187 M5X8 SCREW HEX COUNTERSUNK | 10 |
| 1 | CWC-TS0101-P04_PLEXIGLASS FLOOR FRONT | 1 |
| PC NO | PART NAME | QTY |



1. Countersink the red marked holes
2. Install threaded inserts with soldering iron
3. Assemble the structure

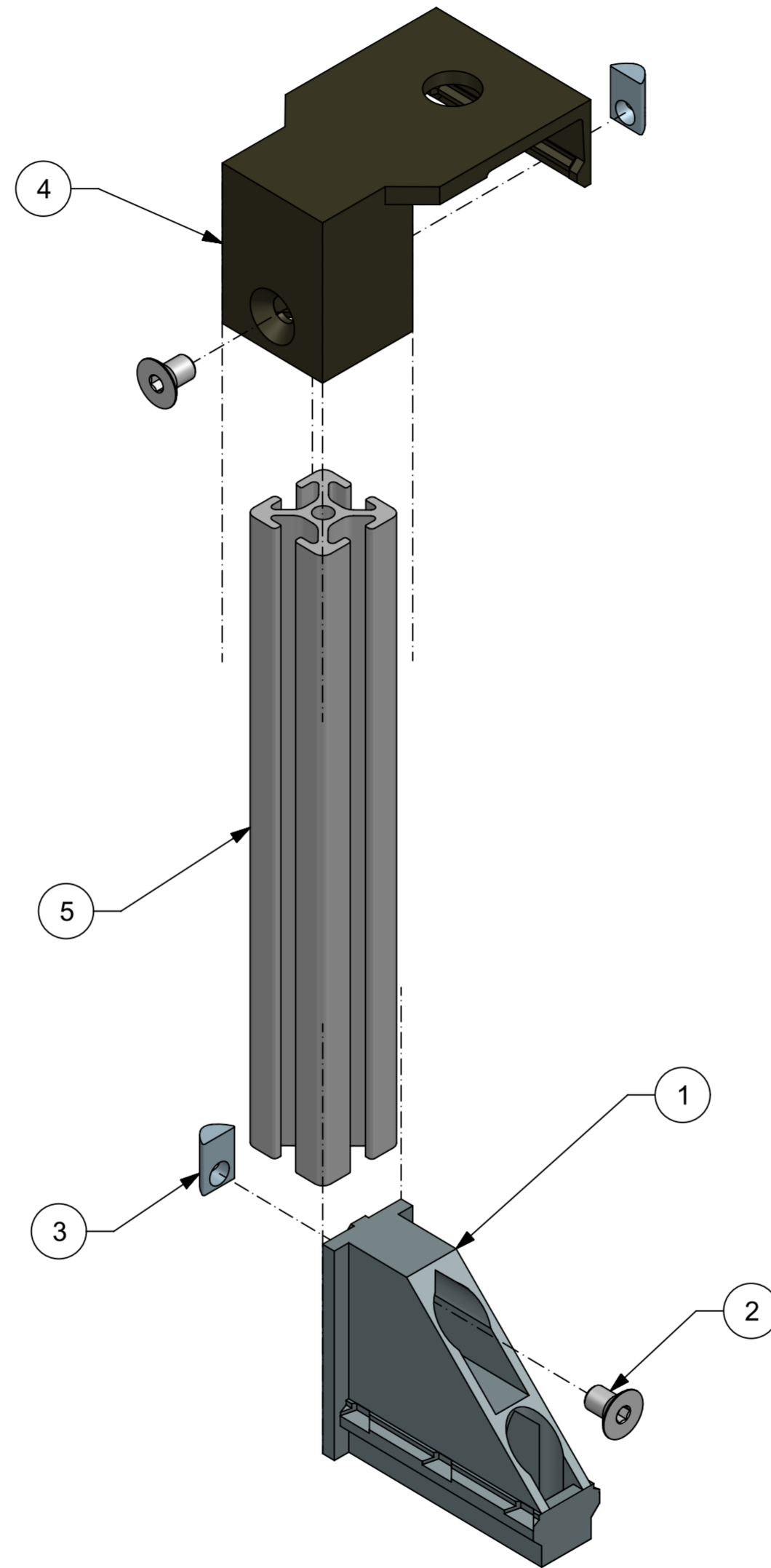
| | | |
|-------|------------------------------------|-----|
| 5 | CWC-TS0103-P03_NOZZLE WALL FRONT | 1 |
| 4 | CWC-TS0104-P03_NOZZLE WALL REAR | 1 |
| 3 | CWC-TS0109-P04_DIFFUSER WALL REAR | 1 |
| 2 | CWC-TS0108-P04_DIFFUSER WALL FRONT | 1 |
| 1 | BN37885-3794588 M3 THREADED INSERT | 4 |
| PC NO | PART NAME | QTY |



Make sure the rear holes of the nozzle floor line up with the holes of the plexiglass divider

| | | |
|-------|--|-----|
| 4 | BN610-1233114 M3X8 SCREW HEX SOCKET | 6 |
| 3 | BN715-1777491 FLAT WASHER M3 | 6 |
| 2 | CWC-TS0105-P03_NOZZLE FLOOR | 1 |
| 1 | BN616-1076469 M3X8 SCREW HEX COUNTERSUNK | 2 |
| PC NO | PART NAME | QTY |

~4x



Leave a 3mm gap at the bottom of the cornerclip (1)!
There are two different configurations, which are mirrored.

| | | |
|-------|--|-----|
| 5 | CWC-ST1007-P04_ITEM FRAME TS COLUMN | 4 |
| 4 | CWC-SP0015-P01_ITEM COLUMNCLIP | 4 |
| 3 | NUTSTEIN M5 PROFIL 5 ITEM 0.0.425.11 | 8 |
| 2 | BN616-1208187 M5X8 SCREW HEX COUNTERSUNK | 8 |
| 1 | CWC-SP0010-P01_CORNERCLIP MALE | 4 |
| PC NO | PART NAME | QTY |

