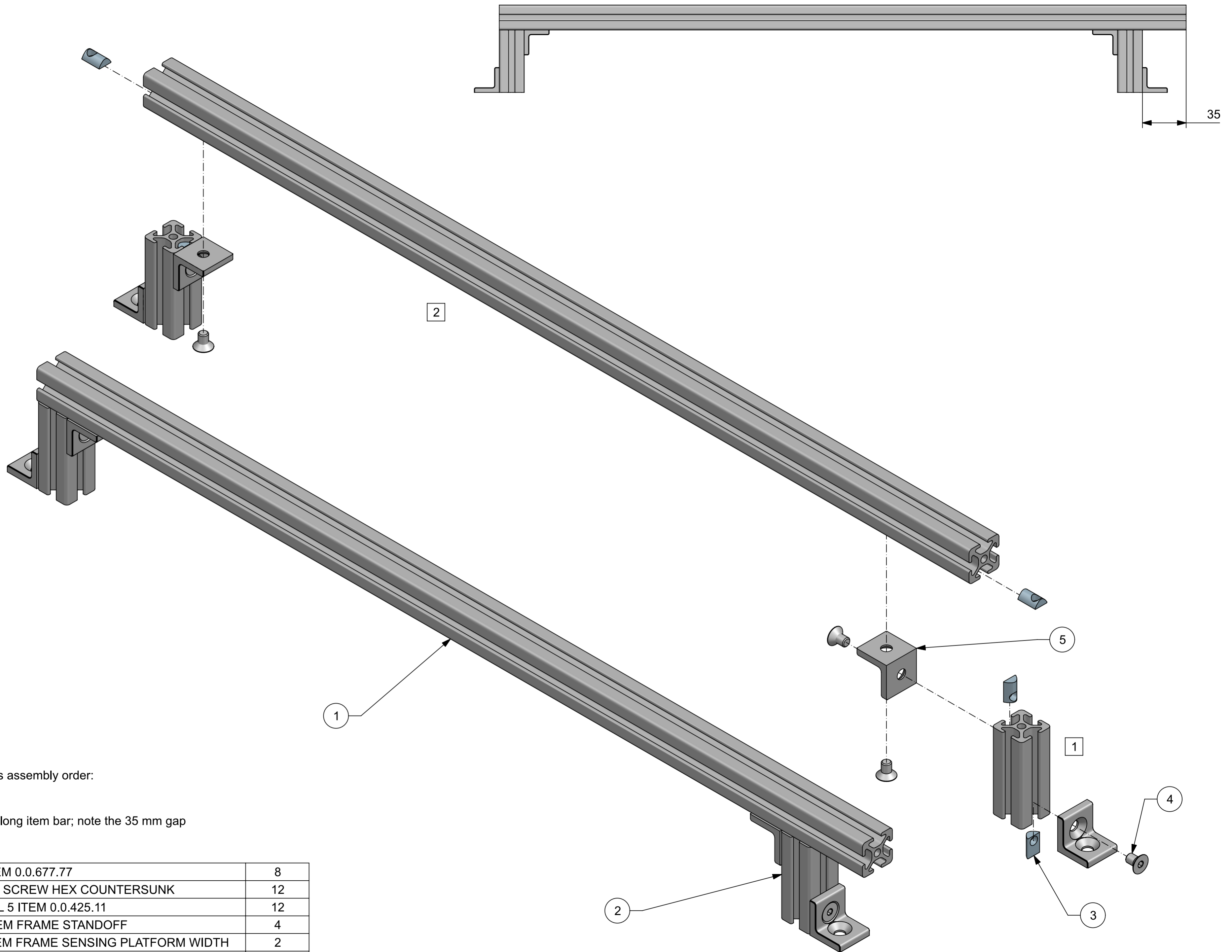


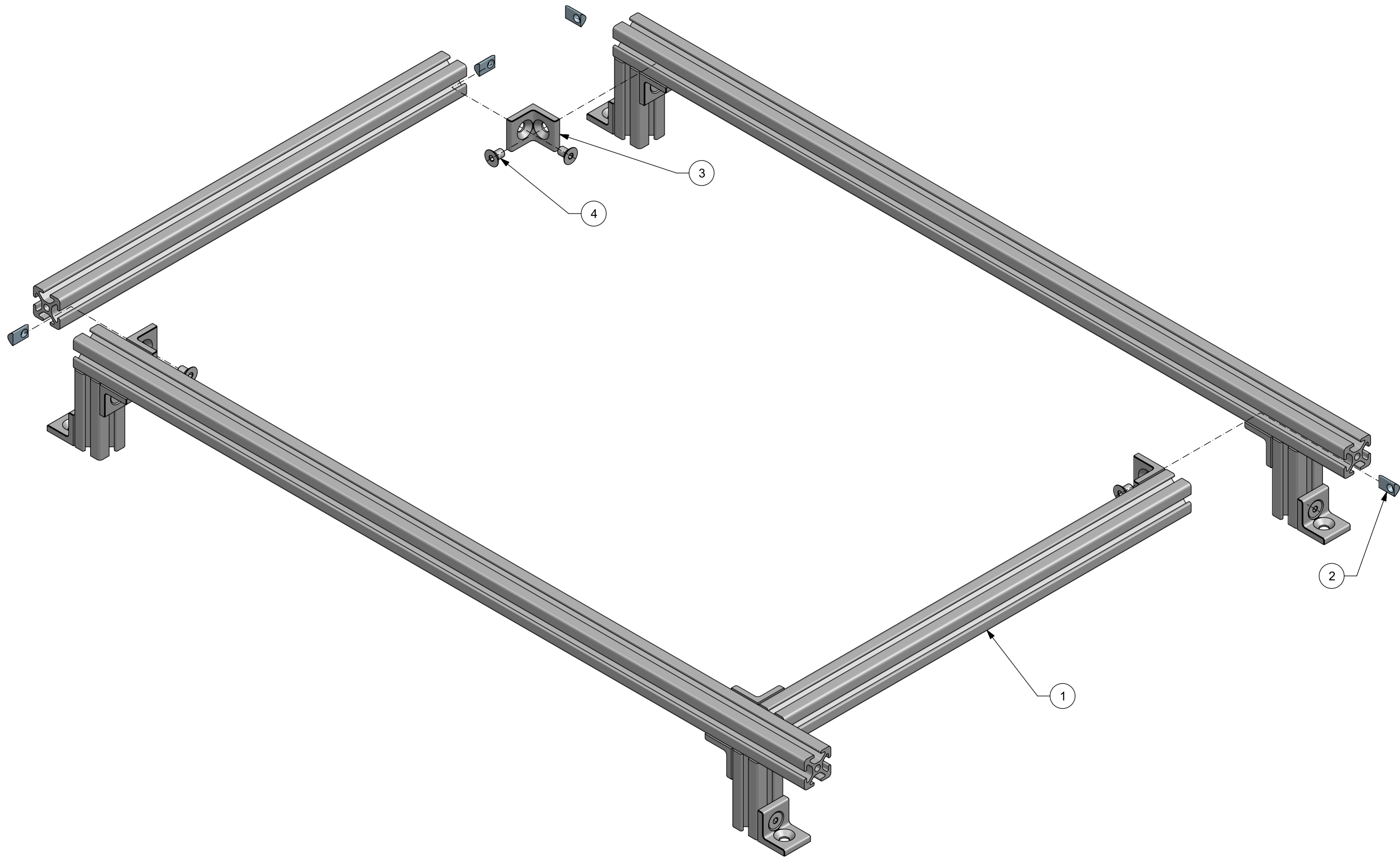
7	WINKEL PROFIL 5 ASSEMBLY	12
6	WINKEL PROFIL 5 ITEM 0.0.677.77	12
5	BN616-1208187 M5X8 SCREW HEX COUNTERSUNK	24
4	NUTSTEIN M5 PROFIL 5 ITEM 0.0.425.11	24
3	CWC-ST1010-P04_ITEM FRAME STANDOFF	4
2	CWC-ST1011-P04_ITEM FRAME SENSING PLATFORM WIDTH	2
1	CWC-ST1004-P04_ITEM FRAME OUTSIDE WIDTH	2
PC NO	PART NAME	QTY



Follow the square call-outs as assembly order:

1. Assemble the standoffs (2)
2. Attach the standoffs to the long item bar; note the 35 mm gap

5	WINKEL PROFIL 5 ITEM 0.0.677.77	8
4	BN616-1208187 M5X8 SCREW HEX COUNTERSUNK	12
3	NUTSTEIN M5 PROFIL 5 ITEM 0.0.425.11	12
2	CWC-ST1010-P04_ITEM FRAME STANDOFF	4
1	CWC-ST1011-P04_ITEM FRAME SENSING PLATFORM WIDTH	2
PC NO	PART NAME	QTY



4	BN616-1208187 M5X8 SCREW HEX COUNTERSUNK	8
3	WINKEL PROFIL 5 ITEM 0.0.677.77	4
2	NUTSTEIN M5 PROFIL 5 ITEM 0.0.425.11	8
1	CWC-ST1004-P04_ITEM FRAME OUTSIDE WIDTH	2
PC NO	PART NAME	QTY