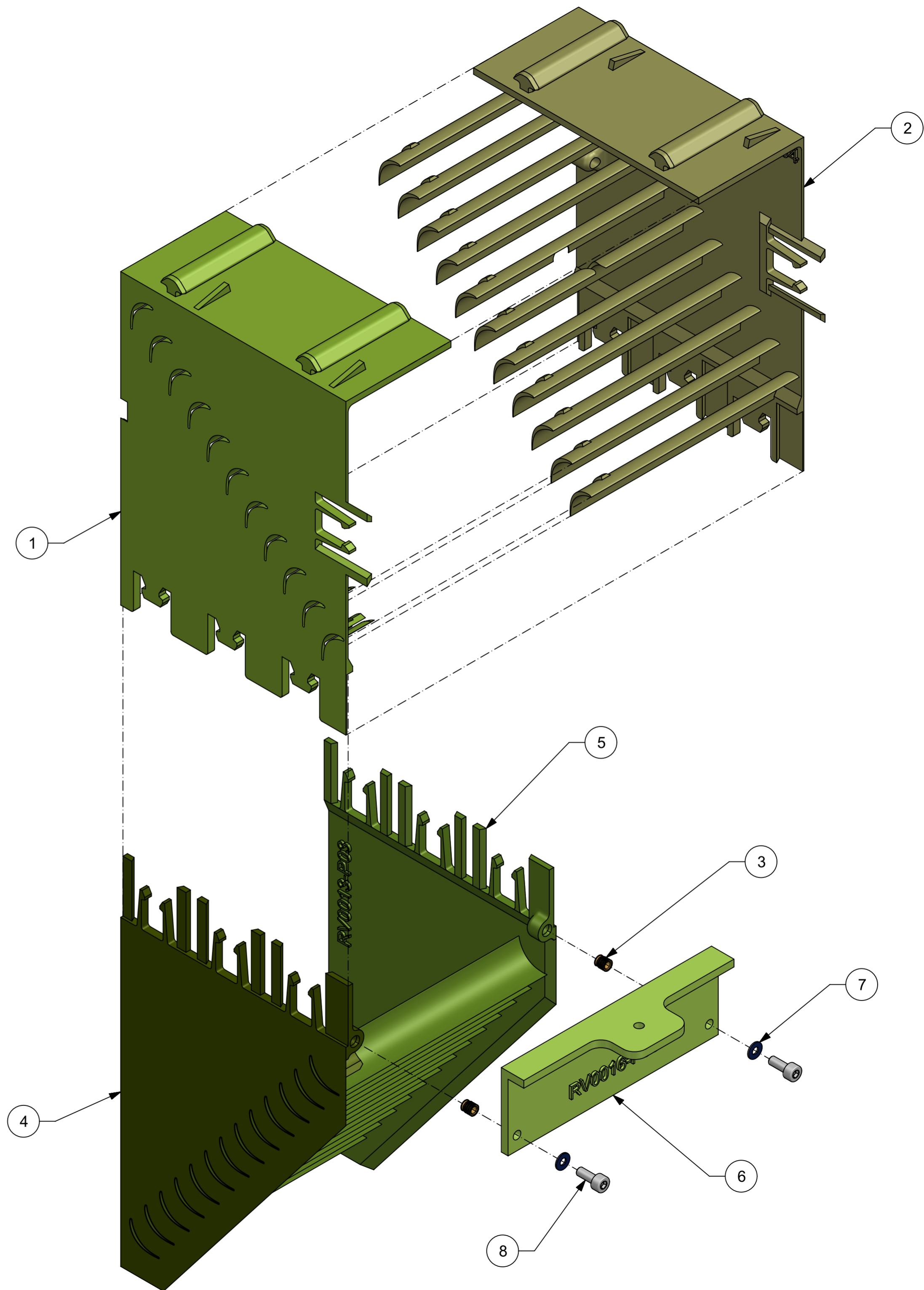


29	CWC-SP0014-P01_ITEM PLATFORMCLIP PLATFORM ADAPTER MIRRORED	2
28	CWC-ST1006-P03_FRAME INSIDE WIDTH	2
27	CWC-RV0034-P03_PROPCOWLING FOIL R	3
26	CWC-RV0033-P03_PROPCOWLING FOIL L	3
25	CWC-RV0032-P03_PROPCOWLING BEARING HOLDER	3
24	CWC-RV0036-P03_PROPCOWLING FOIL BOT	3
23	CWC-RV0031-P03_PROPCOWLING	3
22	CWC-RV0035-P03_PROPCOWLING FOIL TOP	3
21	BN715-1777491 FLAT WASHER M3	9
20	BN610-1233114 M3X8 SCREW HEX SOCKET	15
19	CWC-RV0011-P04_VANES COVER SIDE UPPER FRONT	3
18	CWC-RV0012-P04_VANES COVER SIDE UPPER REAR	3
17	CWC-RV0013-P03_VANES COVER SIDE LOWER FRONT	3
16	CWC-RV0014-P03_VANES COVER SIDE LOWER REAR	3
15	CWC-RV0016-P03_VANES COVER FRONT	3
14	PROPELLER APISQUEEN 80MM	3
13	BN610-1421506 M2.5X5 HEX SOCKET SCREW	3
12	BN610-1032658 M3X20 SCREW HEX SOCKET	3
11	BN630-1241826 HEX NUT M3 THIN	3
10	CWC-RV0026-P03_MAGCOUPLING PROPELLER TIP	3
9	BN37885-3794588 M3 THREADED INSERT	18
8	CWC-RV0024-P04_MAGCOUPLING COVER	3
7	BALL BEARING IGUS BB-685-B180-30-ES	6
6	CWC-RV0025-P04_MAGCOUPLING AXLE	3
5	CWC-RV0022-P04_MAGCOUPLING MAGNET HOLDER	3
4	THRUST WASHER IGUS XTM-0620-015	3
3	BALL BEARING AXIAL IGUS BB-626TW-B180-ES	3
2	MAGNET CYLINDER SUPERMAGNETE S-10-05-N52N	30
1	CWC-SP0013-P01_ITEM PLATFORMCLIP PLATFORM ADAPTER	2
PC NO	PART NAME	QTY

Necessary Tools:

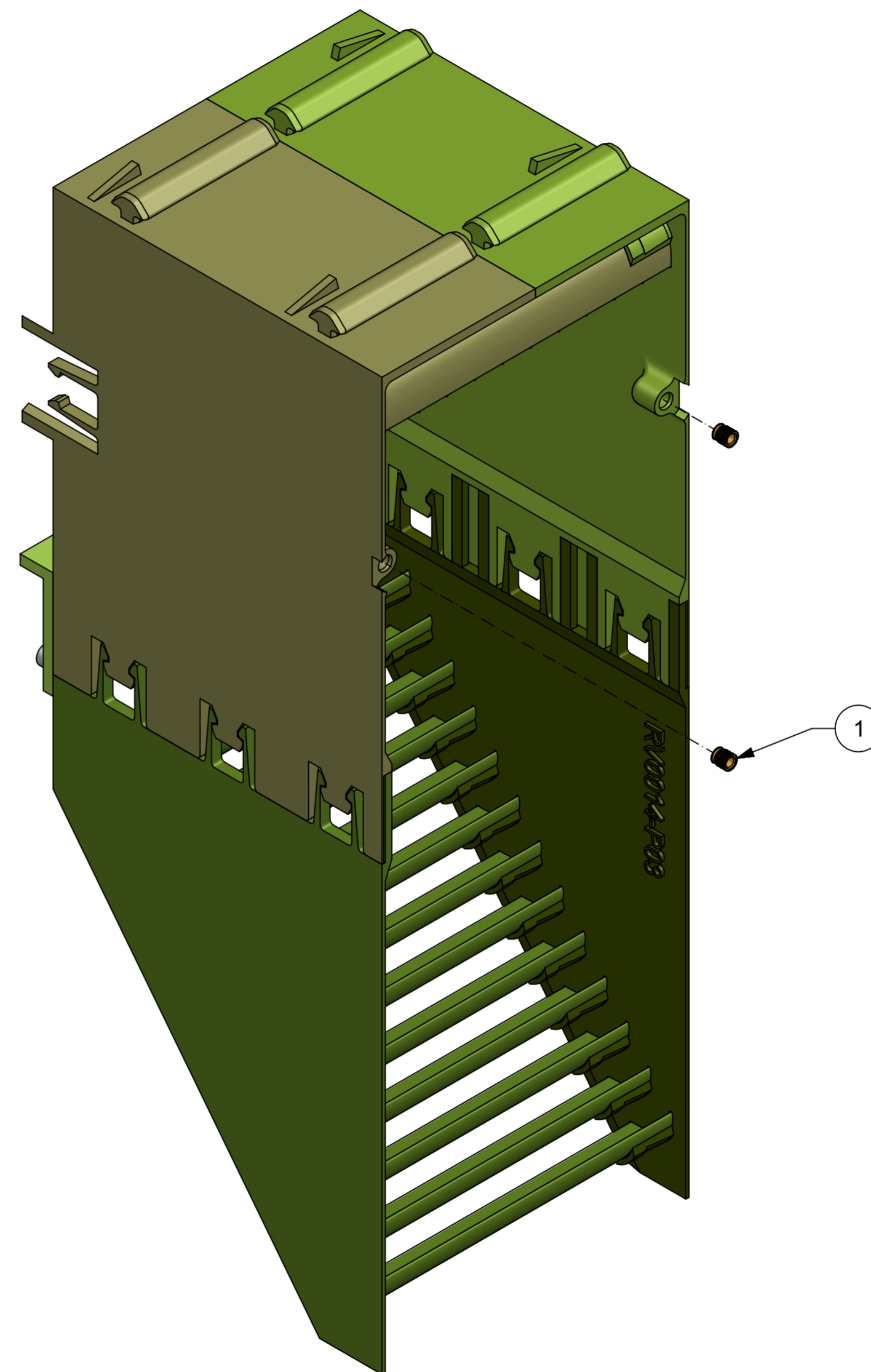
- Soldering iron (for threaded inserts)
- Punch pins
- Hex key set
- (optional) rubber mallet

3x



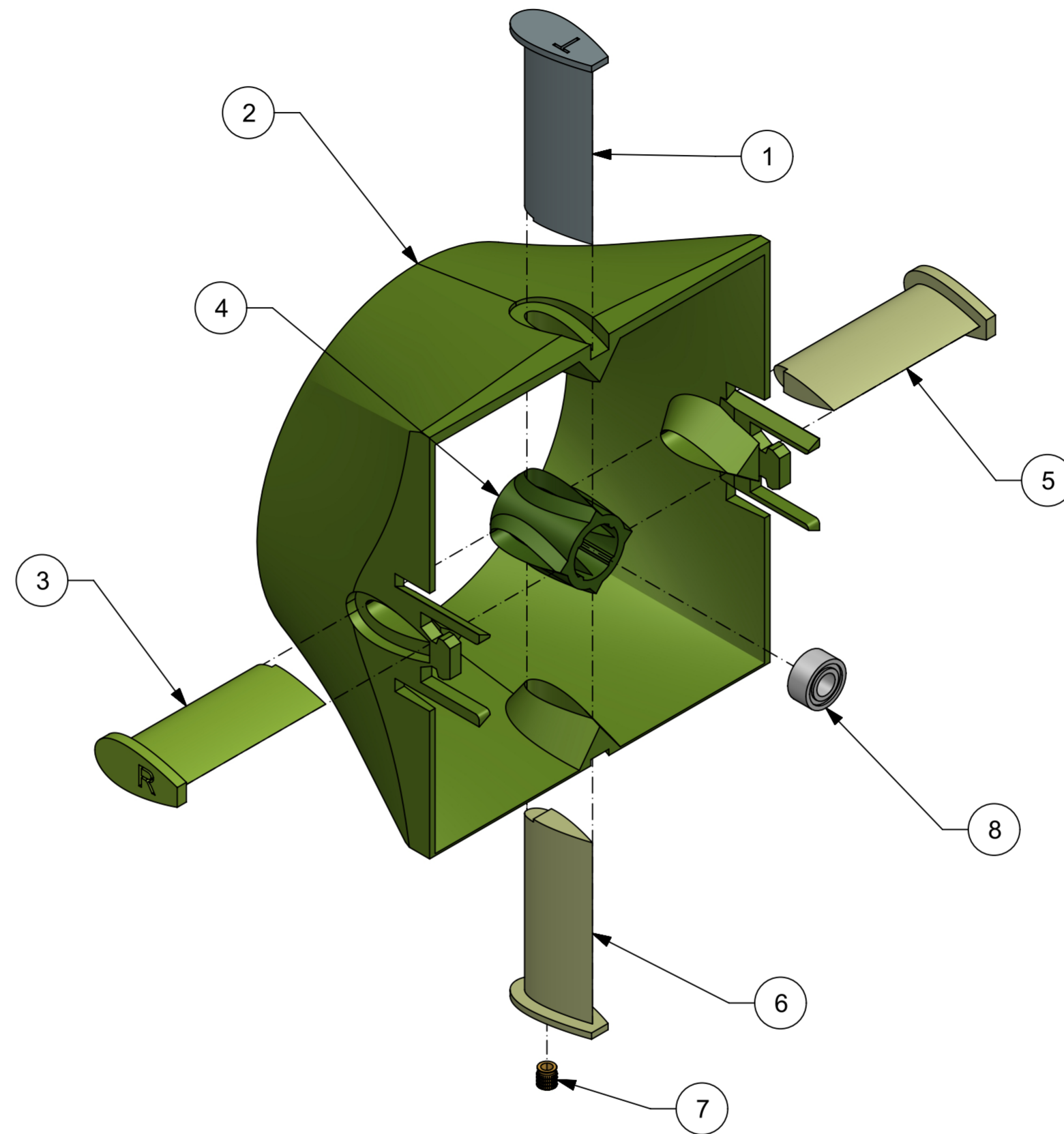
8	BN610-1233114 M3X8 SCREW HEX SOCKET	2
7	BN715-1777491 FLAT WASHER M3	2
6	CWC-RV0016-P03_VANES COVER FRONT	1
5	CWC-RV0013-P03_VANES COVER SIDE LOWER FRONT	1
4	CWC-RV0014-P03_VANES COVER SIDE LOWER REAR	1
3	BN37885-3794588 M3 THREADED INSERT	2
2	CWC-RV0011-P04_VANES COVER SIDE UPPER FRONT	1
1	CWC-RV0012-P04_VANES COVER SIDE UPPER REAR	1
PC NO	PART NAME	QTY

3x



PC NO	PART NAME	QTY
1	BN37885-3794588 M3 THREADED INSERT	2

3x



PC NO	PART NAME	QTY
8	BALL BEARING IGUS BB-685-B180-30-ES	1
7	BN37885-3794588 M3 THREADED INSERT	1
6	CWC-RV0036-P03_PROPCOWLING FOIL BOT	1
5	CWC-RV0033-P03_PROPCOWLING FOIL L	1
4	CWC-RV0032-P03_PROPCOWLING BEARING HOLDER	1
3	CWC-RV0034-P03_PROPCOWLING FOIL R	1
2	CWC-RV0031-P03_PROPCOWLING	1
1	CWC-RV0035-P03_PROPCOWLING FOIL TOP	1

Assembly Order:

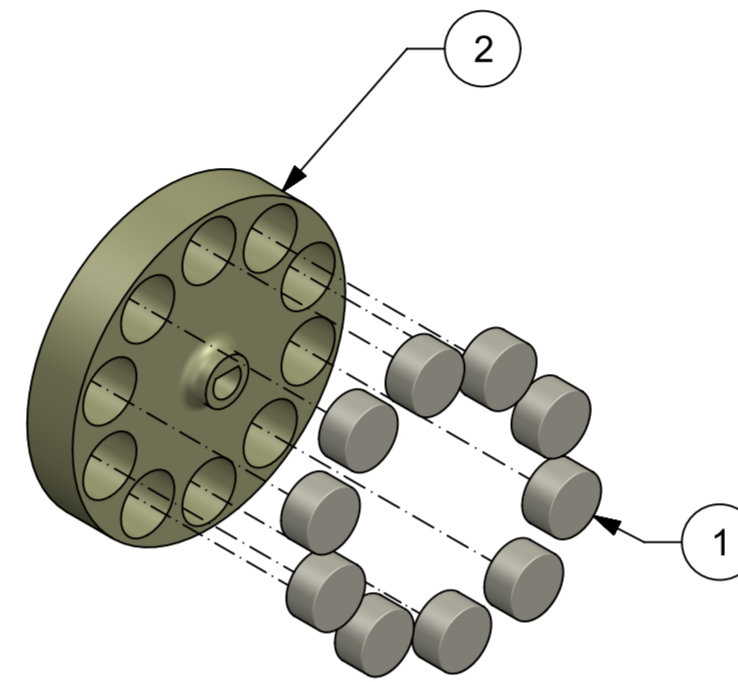
0. Insert the threaded insert (7)

1. Insert the ball bearing (8) into the bearing holder (4)

Warning: The bearing might break under heavy axial load. Be careful, or use a pin punch to apply homogenous pressure

2. Holding the bearing holder (4) in the centre, slide in and attach the foils.

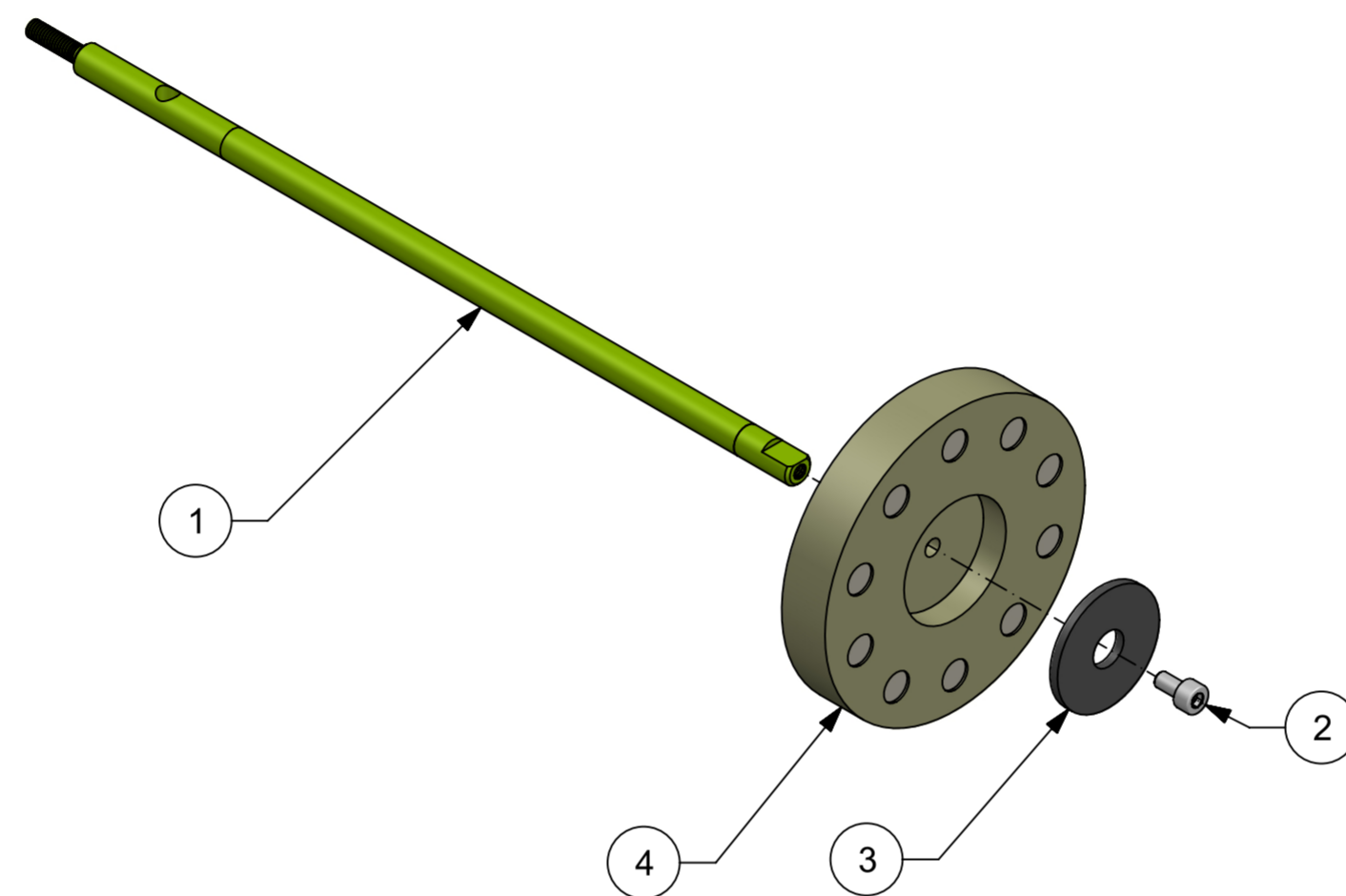
3x



A pin punch can help in assembly

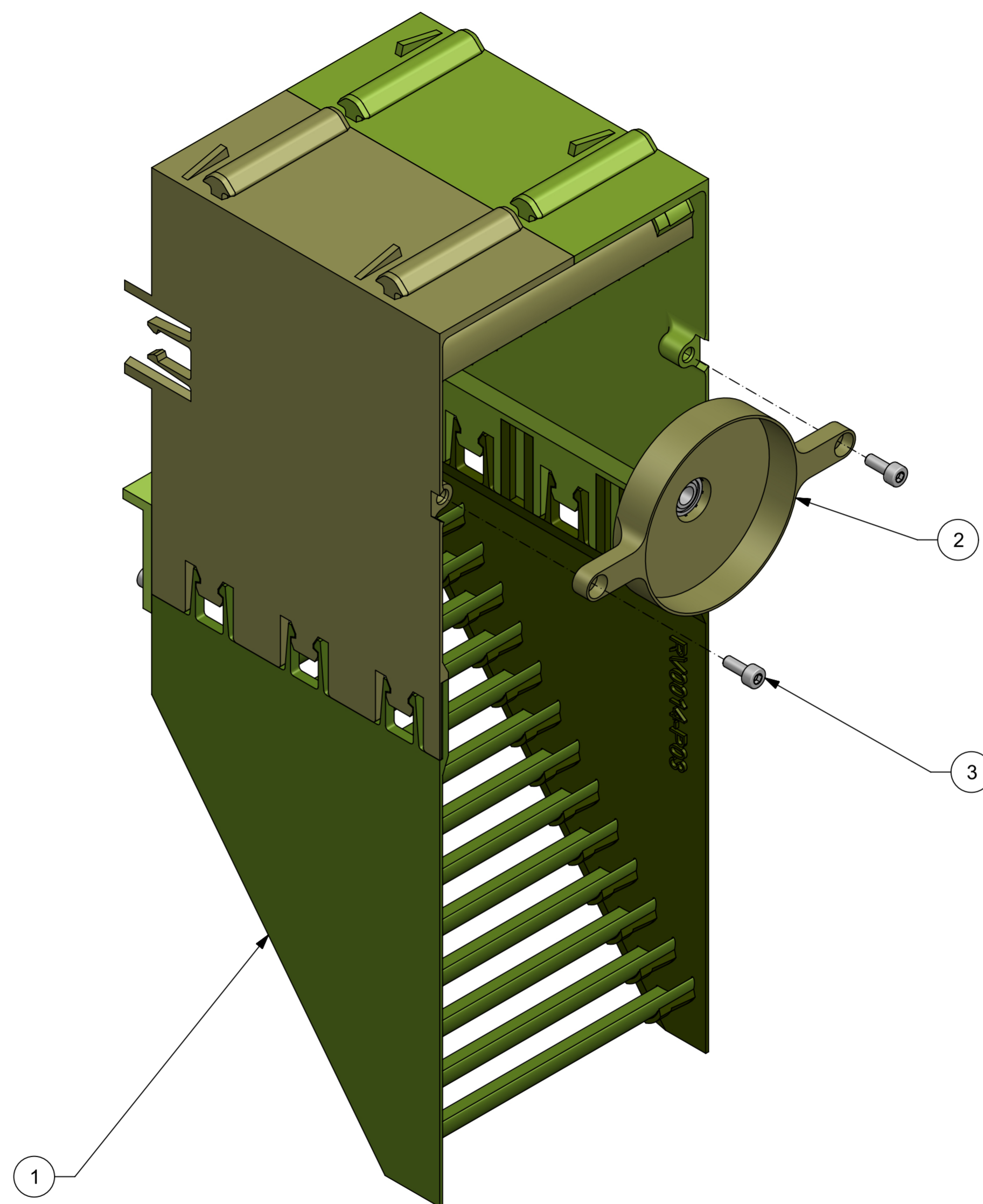
2	CWC-RV0022-P04_MAGCOUPLING MAGNET HOLDER	1
1	MAGNET CYLINDER SUPERMAGNETE S-10-05-N52N	10
PC NO	PART NAME	QTY

3x



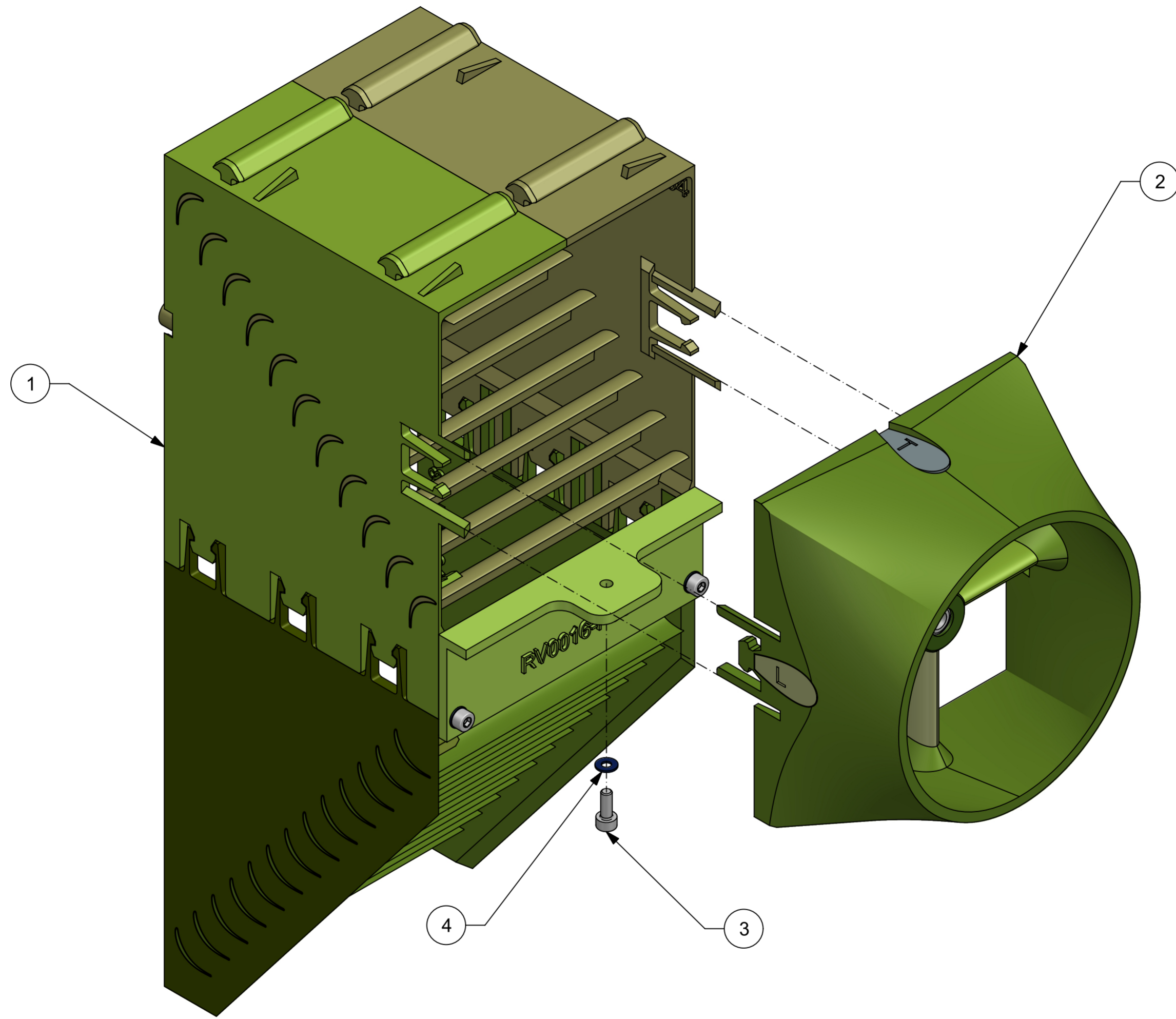
4	CWC-RV0022-P04_MAGCOUPLING MAGNET HOLDER	1
3	THRUST WASHER IGUS XTM-0620-015	1
2	BN610-1421506 M2.5X5 HEX SOCKET SCREW	1
1	CWC-RV0025-P04_MAGCOUPLING AXLE	1
PC NO	PART NAME	QTY

3x



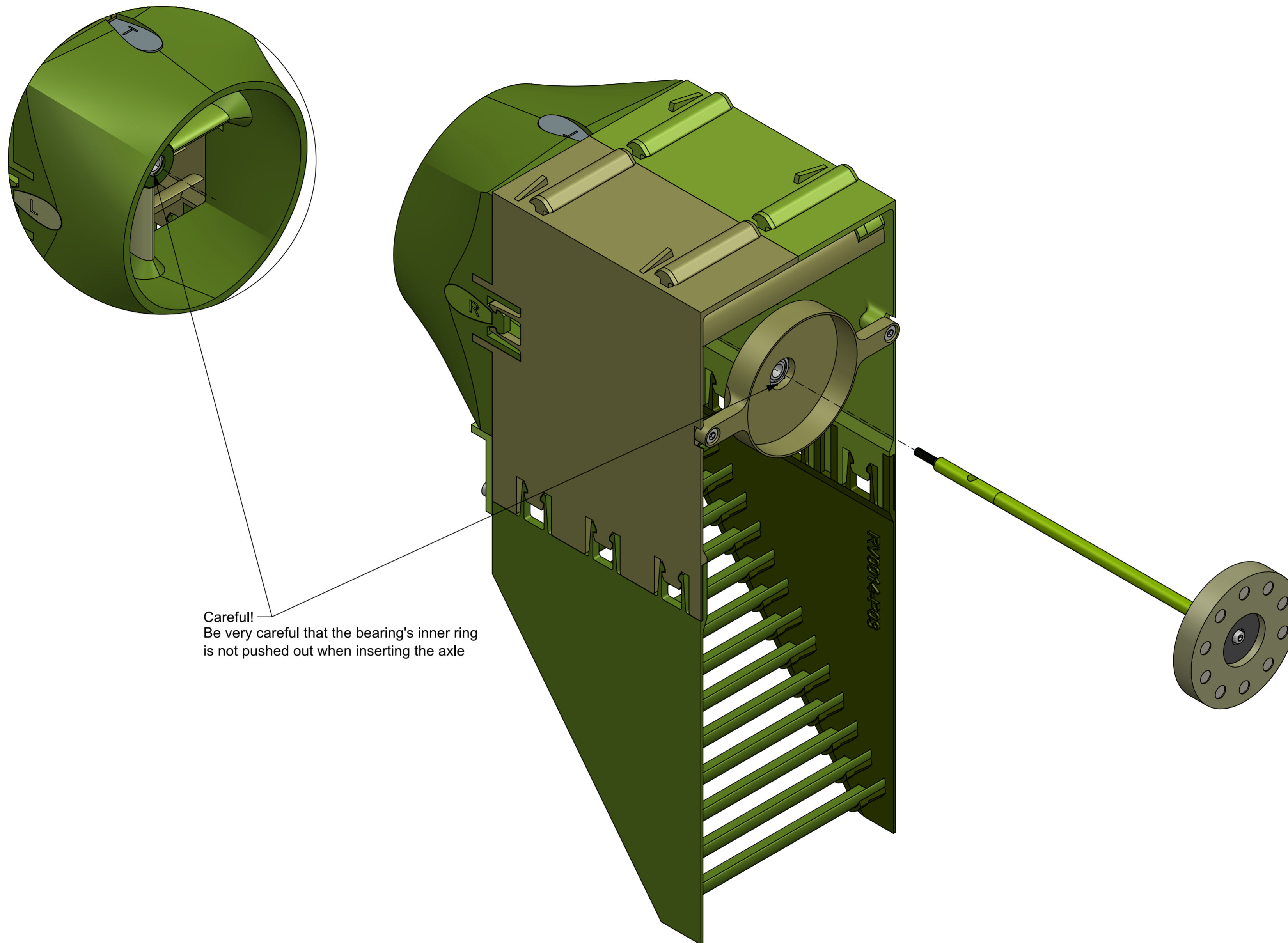
PC NO	PART NAME	QTY
3	BN610-1233114 M3X8 SCREW HEX SOCKET	2
2	CWC-RV0024-P04_MAGCOUPLING COVER	1
1	CWC-RV0010-A04_TURNING VANES ASSEMBLY	1

3x



PC NO	PART NAME	QTY
4	BN715-1777491 FLAT WASHER M3	1
3	BN610-1233114 M3X8 SCREW HEX SOCKET	1
2	CWC-RV0030-A04_PROPCOWLING ASSEMBLY	1
1	CWC-RV0010-A04_TURNING VANES ASSEMBLY	1

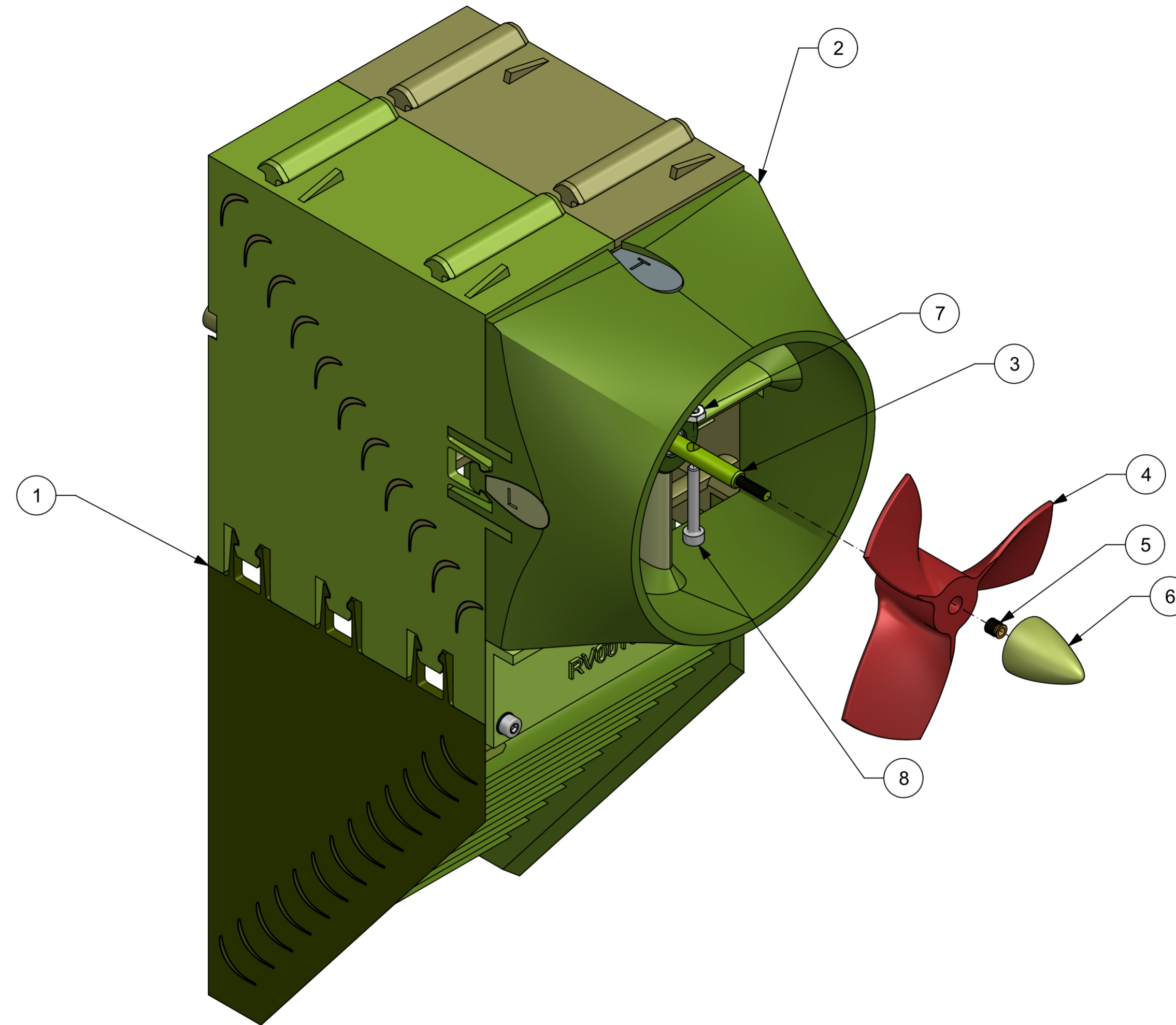
3x



Careful!
Be very careful that the bearing's inner ring
is not pushed out when inserting the axle

3	CWC-RV0020-A04_MAGCOUPLING ASSEMBLY	1
2	CWC-RV0010-A04_TURNING VANES ASSEMBLY	1
1	CWC-RV0030-A04_PROPCOWLING ASSEMBLY	1
PC NO	PART NAME	QTY

3x



The M3x20 Screw (8) locates the propeller (4) with the slot
Nut (7) does not need to be locked tightly

8	BN610-1032658 M3X20 SCREW HEX SOCKET	1
7	BN630-1241826 HEX NUT M3 THIN	1
6	CWC-RV0026-P03_MAGCOUPLING PROPELLER TIP	1
5	BN37885-3794588 M3 THREADED INSERT	1
4	PROPELLER APISQUEEN 80MM	1
3	CWC-RV0020-A04_MAGCOUPLING ASSEMBLY	1
2	CWC-RV0030-A04_PROPCOWLING ASSEMBLY	1
1	CWC-RV0010-A04_TURNING VANES ASSEMBLY	1
PC NO	PART NAME	QTY

5	BALL BEARING AXIAL IGUS BB-626TW-B180-ES	3
4	CWC-RV0100-A04_RIGHT TURNING VANE BLOCK ASSEMBLY	3
3	CWC-SP0013-P01_ITEM PLATFORMCLIP PLATFORM ADAPTER	2
2	CWC-SP0014-P01_ITEM PLATFORMCLIP PLATFORM ADAPTER MIRRORED	2
1	CWC-ST1006-P03_FRAME INSIDE WIDTH	2
PC NO	PART NAME	QTY

The axial bearings (5) should be added during assembly with the item frame - they otherwise have a tendency to fall out

