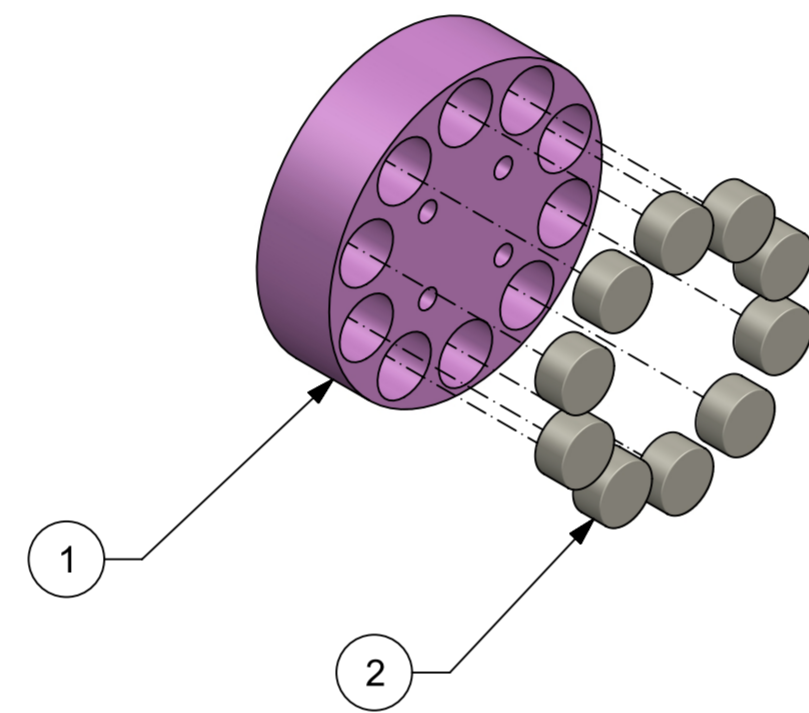


3x

9	CWC-PR0011-A04_MOTOR BUS PCB ASSEMBLY	1
8	BN610-1421506 M2.5X5 HEX SOCKET SCREW	4
7	MAGNET CYLINDER SUPERMAGNETE S-10-05-N52N	10
6	BN610-1233114 M3X8 SCREW HEX SOCKET	4
5	THRUST WASHER IGUS XTM-0620-015	1
4	BALL BEARING AXIAL IGUS BB-626TW-B180-ES	1
3	CWC-PR0003-P04_MOTOR MAGNET HOLDER	1
2	MOTOR MYACTUATOR L-4010	1
1	CWC-PR0002-P04_CONNECTOR STRUCTURE	1
PC NO	PART NAME	QTY

Necessary tools:
- Hex key set
- (optional) push pins

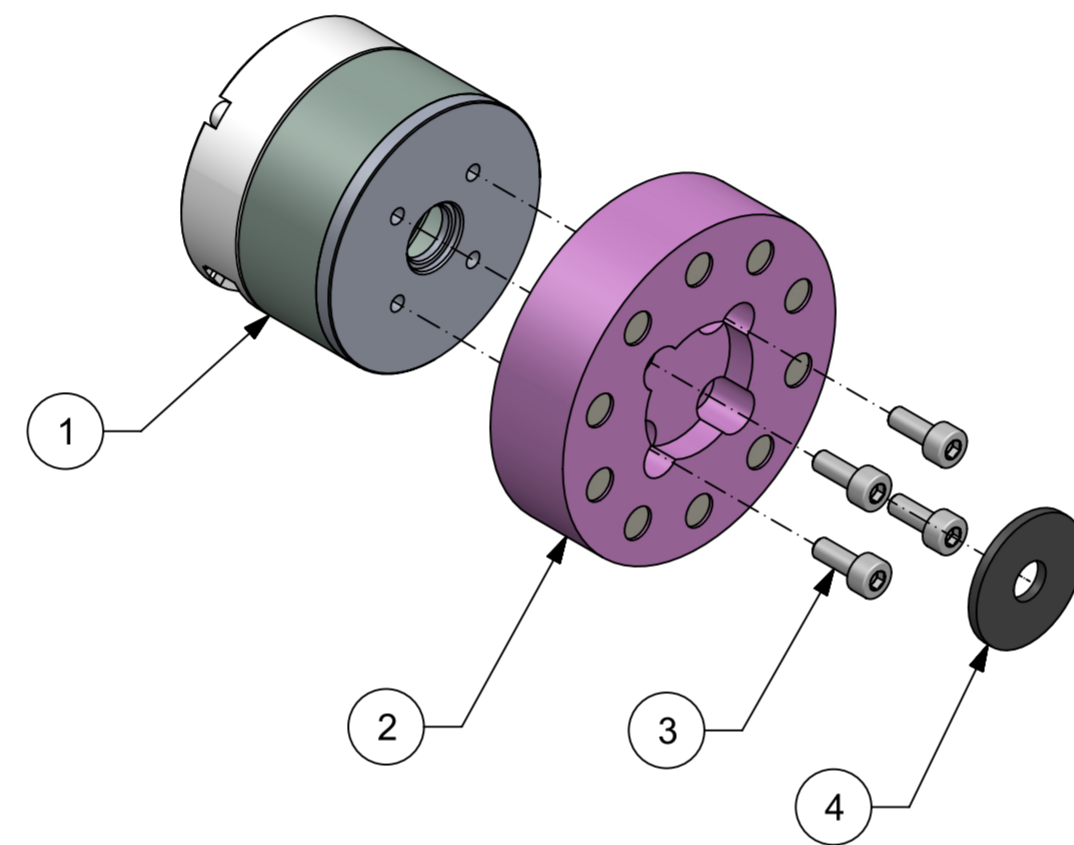
3x



A push pin can help in pressing in the magnets

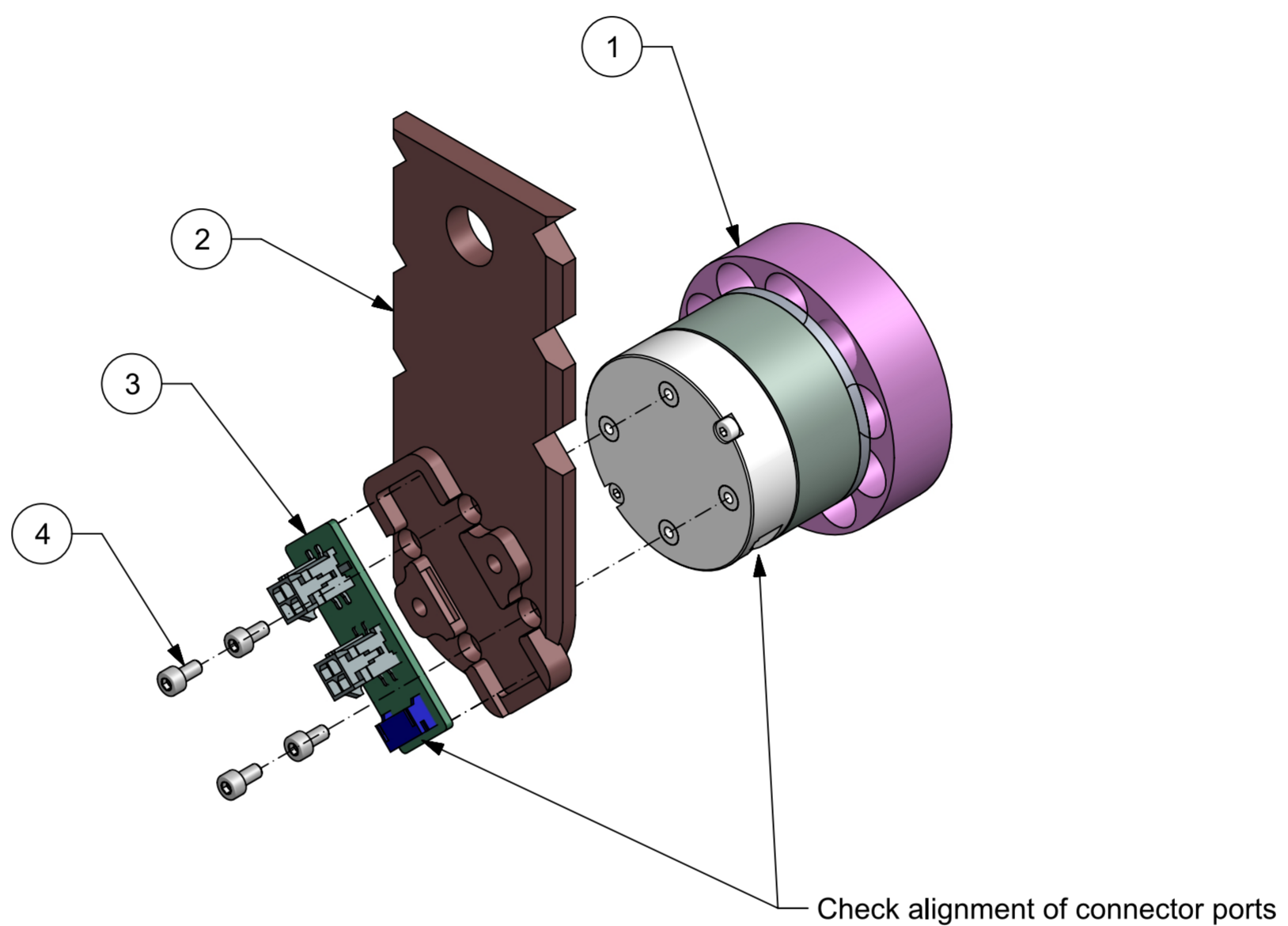
2	MAGNET CYLINDER SUPERMAGNETE S-10-05-N52N	10
1	CWC-PR0003-P04_MOTOR MAGNET HOLDER	1
PC NO	PART NAME	QTY

3x



4	THRUST WASHER IGUS XTM-0620-015	1
3	BN610-1233114 M3X8 SCREW HEX SOCKET	4
2	CWC-PR0003-P04_MOTOR MAGNET HOLDER	1
1	MOTOR MYACTUATOR L-4010	1
PC NO	PART NAME	QTY

3x



4	BN610-1421506 M2.5X5 HEX SOCKET SCREW	4
3	CWC-PR0011-A04_MOTOR BUS PCB ASSEMBLY	1
2	CWC-PR0002-P04_CONNECTOR STRUCTURE	1
1	MOTOR MYACTUATOR L-4010	1
PC NO	PART NAME	QTY