

This cabinet contains high voltage AC components. It should only be built by a professional.

Necessary Tools:

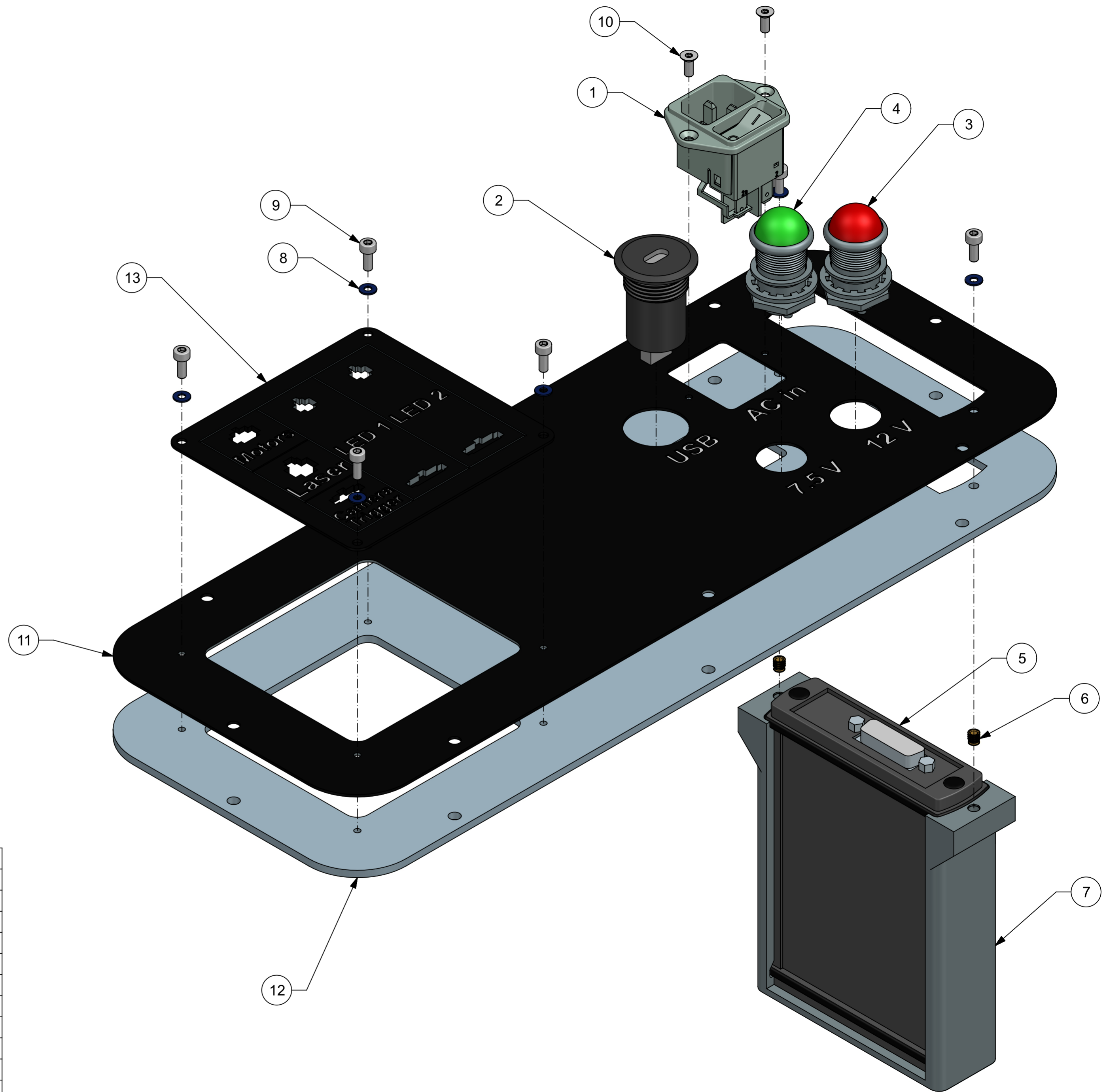
- Allen key set

Many tools & components for the electrical assembly (crimps, ferrules, wire strippers, etc.) are not mentioned here. A professional electronics engineer can be expected to have a workshop with these tools & components.

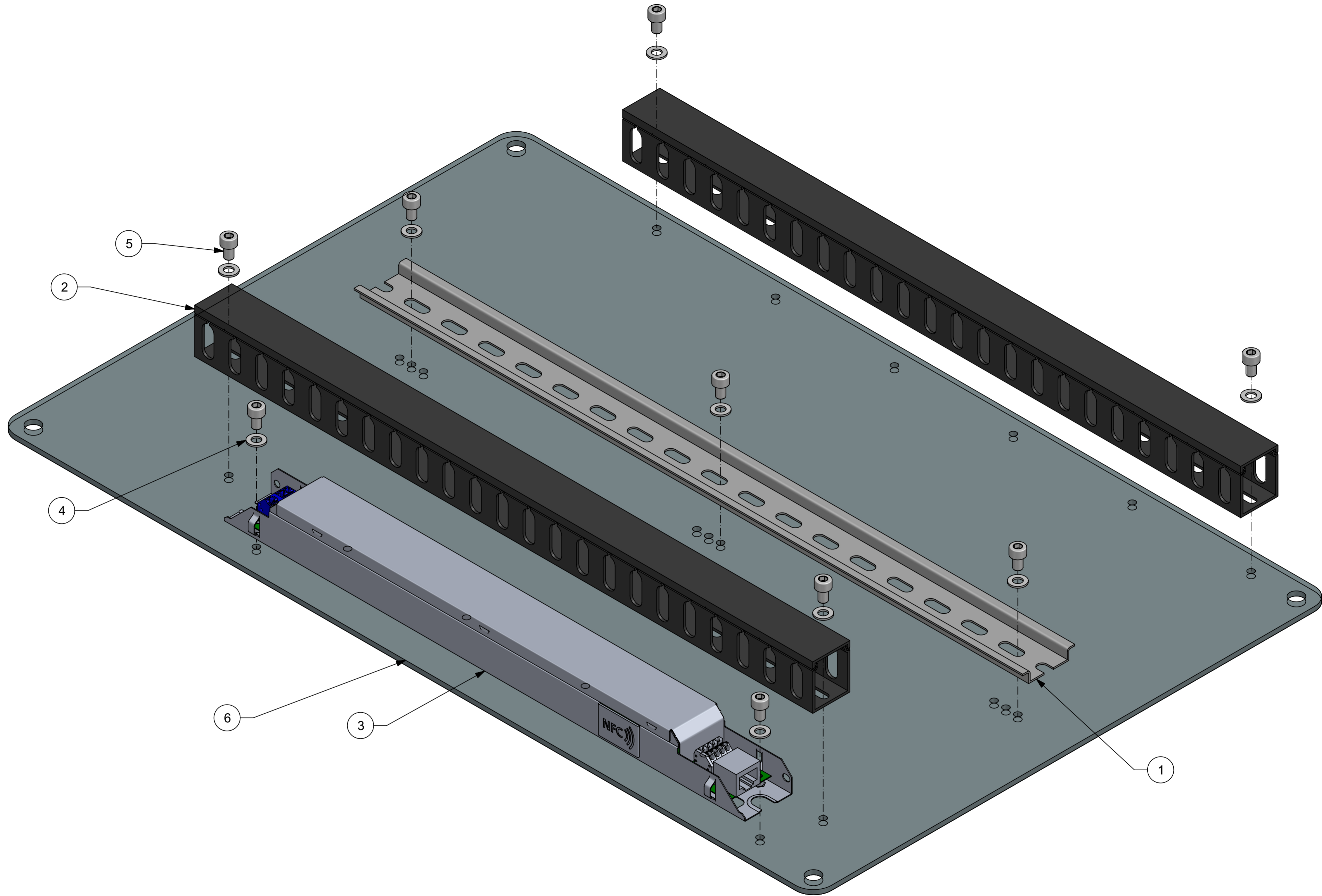
Novices are not advised to build this cabinet themselves, as high voltage AC can be deadly!

33	USB-TO-CAN INTERFACE KVASER LEAF LIGHT V2	1
32	CWC-EL0019-P03_CONNECTOR LABELS	1
31	CWC-EL0021-P03_BUILD PLATE	1
30	BN670-1253212 M5 FLAT WASHER	9
29	LED DRIVER BRIDGELUX BXDR-60LT-U220P-01-A	1
28	USB HUB EXSYS EX-11244HMS	1
27	TERMINAL BLOCK WAGO 2002-3217	3
26	POWER SUPPLY 24V TRACO POWER 240-124	1
25	POWER SUPPLY 5V WEIDMÜLLER 2838400000	1
24	CIRCUIT BREAKER HAGER MU 013C	1
23	CWC-EL0014-P03_KVASER CAN TRANCIEVER HOLDER	1
22	DIN RAIL ADAPTER USA 10 SERIES PHOENIX CONTACT 1201578	2
21	CABLE DUCT RS PRO 233-9187 416 MM	2
20	BN610-1233262 M5X8 SCREW HEX SOCKET	9
19	DIN RAIL 35 X 7.5 PHOENIX CONTACT 0801733 450MM	1
18	ELECTRONICS CABINET 600X400 SCHNEIDER ELECTRIC NSYS3D6420	1
17	CWC-EL0020-P03_MOLEX PLATE	1
16	CONNECTOR MOLEX MICROFIT 1X3 SOCKET 0436400300	1
15	CONNECTOR MOLEX MICROFIT 1X4 SOCKET 0436400400	2
14	CONNECTOR MOLEX MICROFIT 2X2 SOCKET 430200400	1
13	CONNECTOR MOLEX MICROFIT 1X2 SOCKET 430200208	2
12	CONNECTOR MOLEX MINIFIT 1X2 SOCKET 0039012021	1
11	CWC-EL0018-P03_CONNECTORS PLATE	1
10	BN616-1076469 M3X8 SCREW HEX COUNTERSUNK	2
9	BN610-1233114 M3X8 SCREW HEX SOCKET	10
8	BN715-1777491 FLAT WASHER M3	6
7	CWC-EL0006-P99_TORQUEAMP HOLDER	1
6	BN37885-3794588 M3 THREADED INSERT	2
5	AMPLIFIER TRANSMETRA DMS GSV3USB	1
4	PANEL LED GREEN VCC PML50SGFVW	1
3	PANEL LED RED VCC PML50SRFVW	1
2	CONNECTOR ADAFRUIT USB C TO USB A 4259	1
1	CONNECTOR AC POWER SCHULTER DC11.0021.001	1
PC NO	PART NAME	QTY

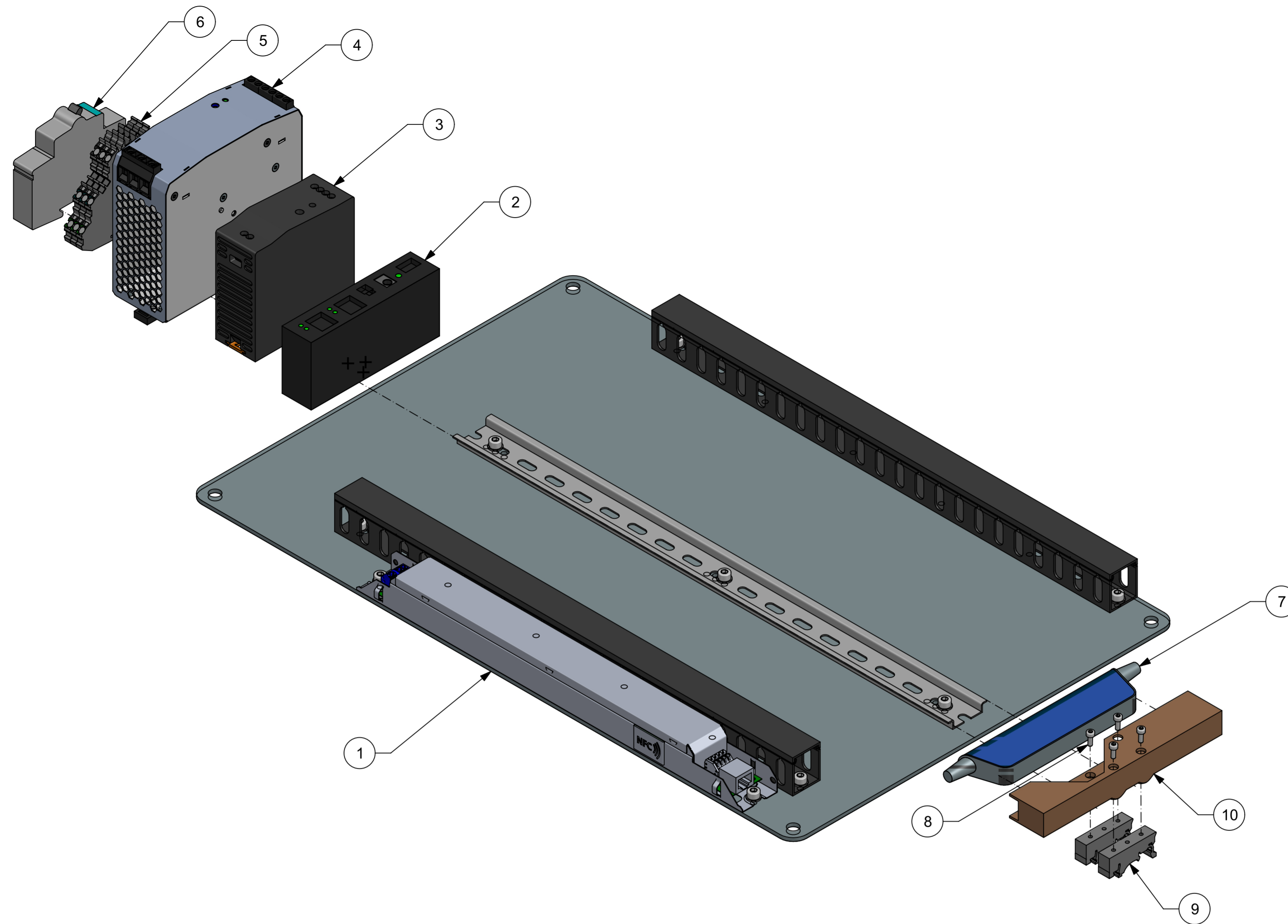
This PSU is optional, but can be useful if a 7.5 V Laser is used instead of an LED



14	USB-TO-CAN INTERFACE KVASER LEAF LIGHT V2	1
13	CWC-EL0020-P03_MOLEX PLATE	1
12	CWC-EL0018-P03_CONNECTORS PLATE	1
11	CWC-EL0019-P03_CONNECTOR LABELS	1
10	BN616-1076469 M3X8 SCREW HEX COUNTERSUNK	1
9	BN610-1233114 M3X8 SCREW HEX SOCKET	6
8	BN715-1777491 FLAT WASHER M3	6
7	CWC-EL0006-P99_TORQUEAMP HOLDER	1
6	BN37885-3794588 M3 THREADED INSERT	2
5	AMPLIFIER TRANSMETRA DMS GSV3USB	1
4	PANEL LED GREEN VCC PML50SGFVW	1
3	PANEL LED RED VCC PML50SRFVW	1
2	CONNECTOR ADAFRUIT USB C TO USB A 4259	1
1	CONNECTOR AC POWER SCHULTER DC11.0021.001	1
PC NO	PART NAME	QTY



6	CWC-EL0021-P03_BUILD PLATE	1
5	BN610-1233262 M5X8 SCREW HEX SOCKET	9
4	BN670-1253212 M5 FLAT WASHER	9
3	LED DRIVER BRIDGELUX BXDR-60LT-U220P-01-A	1
2	CABLE DUCT RS PRO 233-9187 416 MM	2
1	DIN RAIL 35 X 7.5 PHOENIX CONTACT 0801733 450MM	1
PC NO	PART NAME	QTY



10	CWC-EL0014-P03_KVASER CAN TRANCIEVER HOLDER	1
9	DIN RAIL ADAPTER USA 10 SERIES PHOENIX CONTACT 1201578	2
8	BN610-1233114 M3X8 SCREW HEX SOCKET	4
7	USB-TO-CAN INTERFACE KVASER LEAF LIGHT V2	1
6	CIRCUIT BREAKER HAGER MU 013C	1
5	TERMINAL BLOCK WAGO 2002-3217	3
4	POWER SUPPLY 24V TRACO POWER 240-124	1
3	POWER SUPPLY 5V WEIDMÜLLER 2838400000	1
2	USB HUB EXSYS EX-11244HMS	1
1	CWC-EL0021-P03_BUILD PLATE	1
PC NO	PART NAME	QTY

Give mechanical components and circuit diagram to an electronics engineer, to finish the setup

