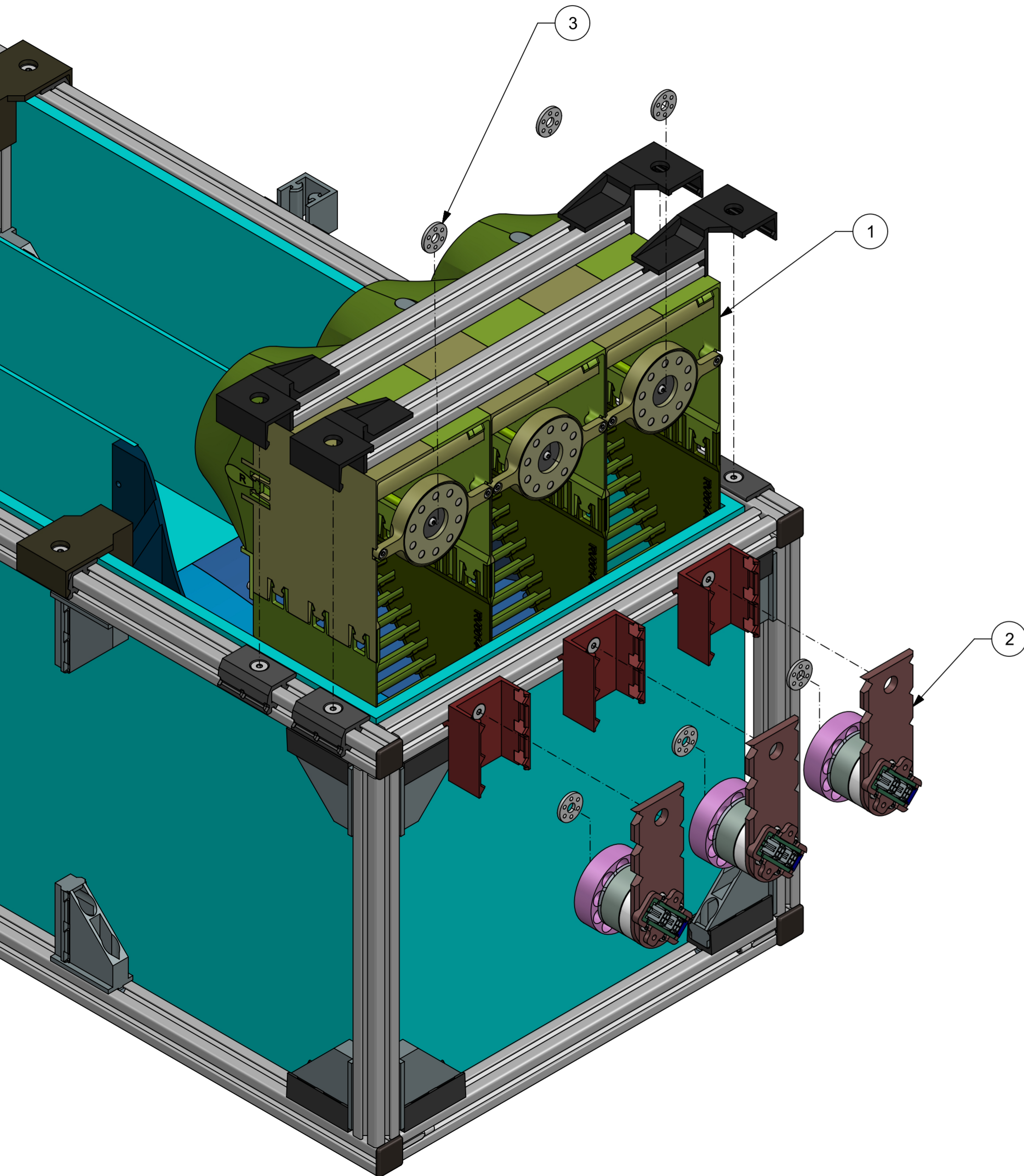


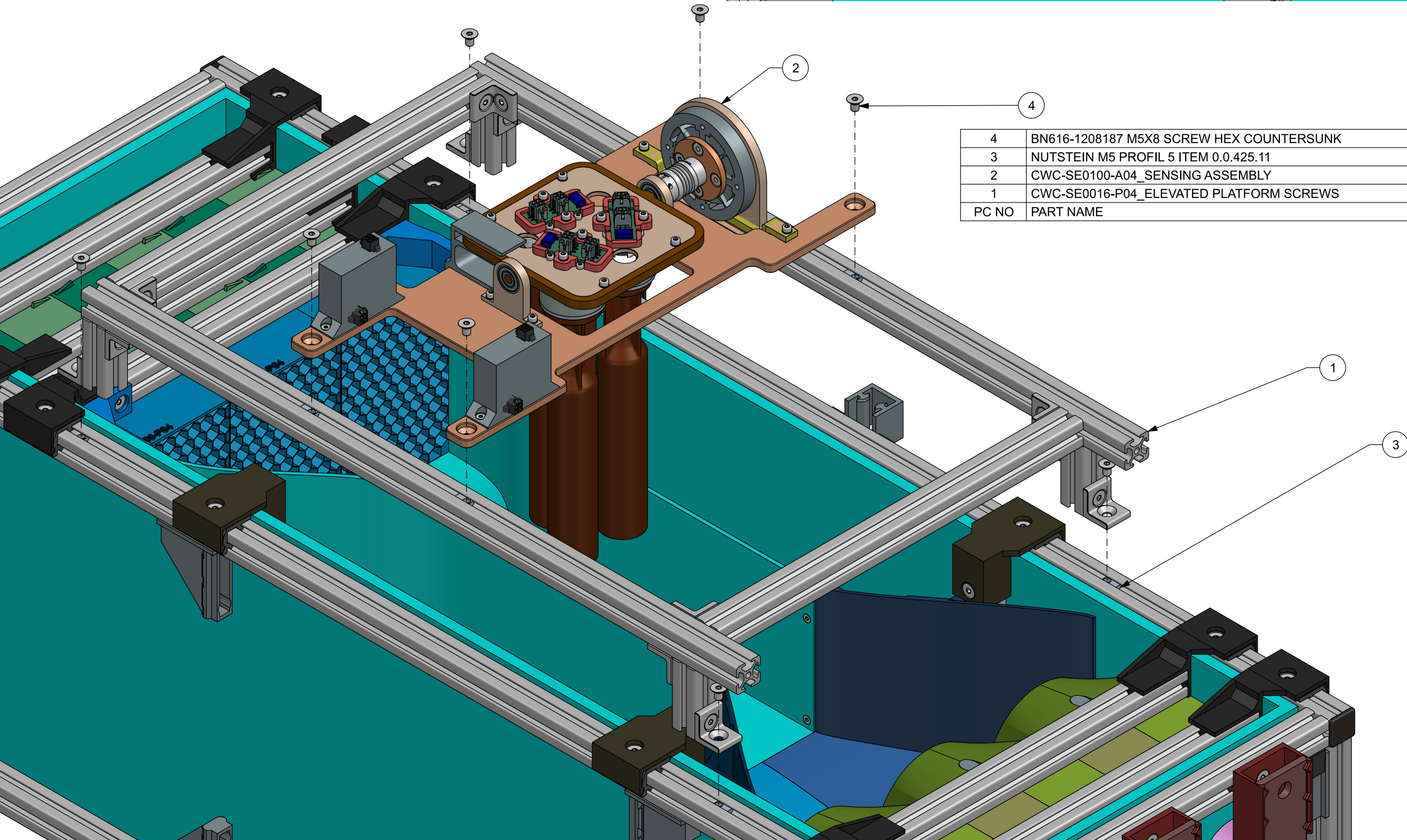
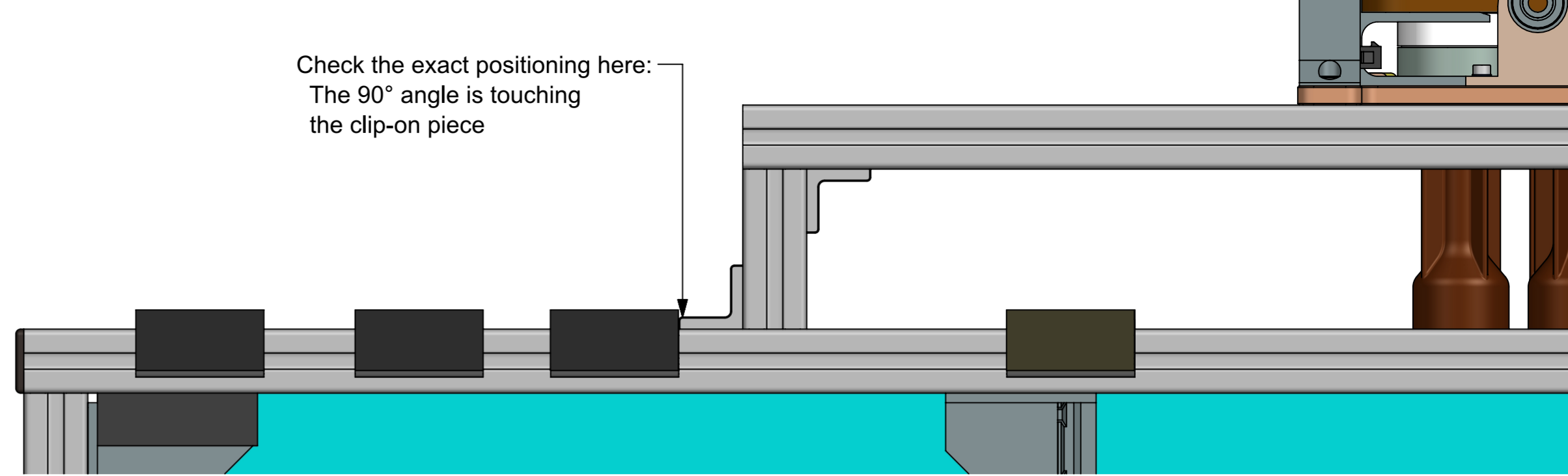
3	CWC-ST0001-A04_SUPPORT FRAME	1
2	CWC-TS0100-A04_TEST SECTION ASSEMBLY	1
1	CWC-LV0110-A04_LEFT TURNING VANE COMPLETE ASSEMBLY	1
PC NO	PART NAME	QTY



3	BALL BEARING AXIAL IGUS BB-626TW-B180-ES	6
2	CWC-PR0010-A04_PROPULSION ASSEMBLY	3
1	CWC-RV0101-A04_RIGHT TURNING VANE COMPLETE ASSEMBLY	1
PC NO	PART NAME	QTY

Add-on sensing and sensing platform

Check the exact positioning here:
The 90° angle is touching
the clip-on piece



4	BN616-1208187 M5X8 SCREW HEX COUNTERSUNK	8
3	NUTSTEIN M5 PROFIL 5 ITEM 0.0.425.11	8
2	CWC-SE0100-A04_SENSING ASSEMBLY	1
1	CWC-SE0016-P04_ELEVATED PLATFORM SCREWS	1
PC NO	PART NAME	QTY