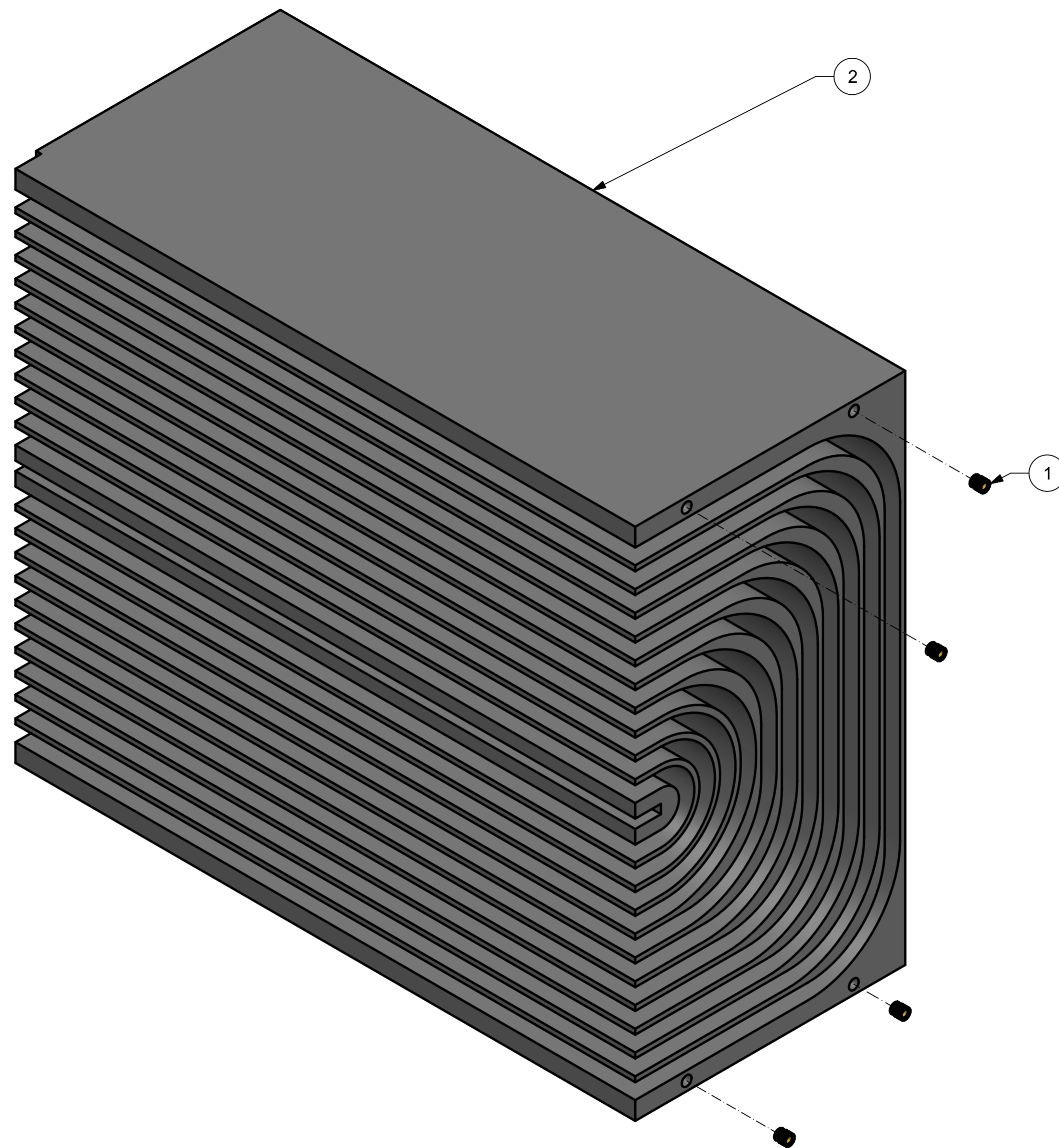


4	BN616-1076469 M3X8 SCREW HEX COUNTERSUNK	4
3	CWC-TV0002-P99_VANE CAP	1
2	CWC-TV0001-P99_TURNING VANES	1
1	BN37885-3794588 M3 THREADED INSERT	4
PC NO	PART NAME	QTY

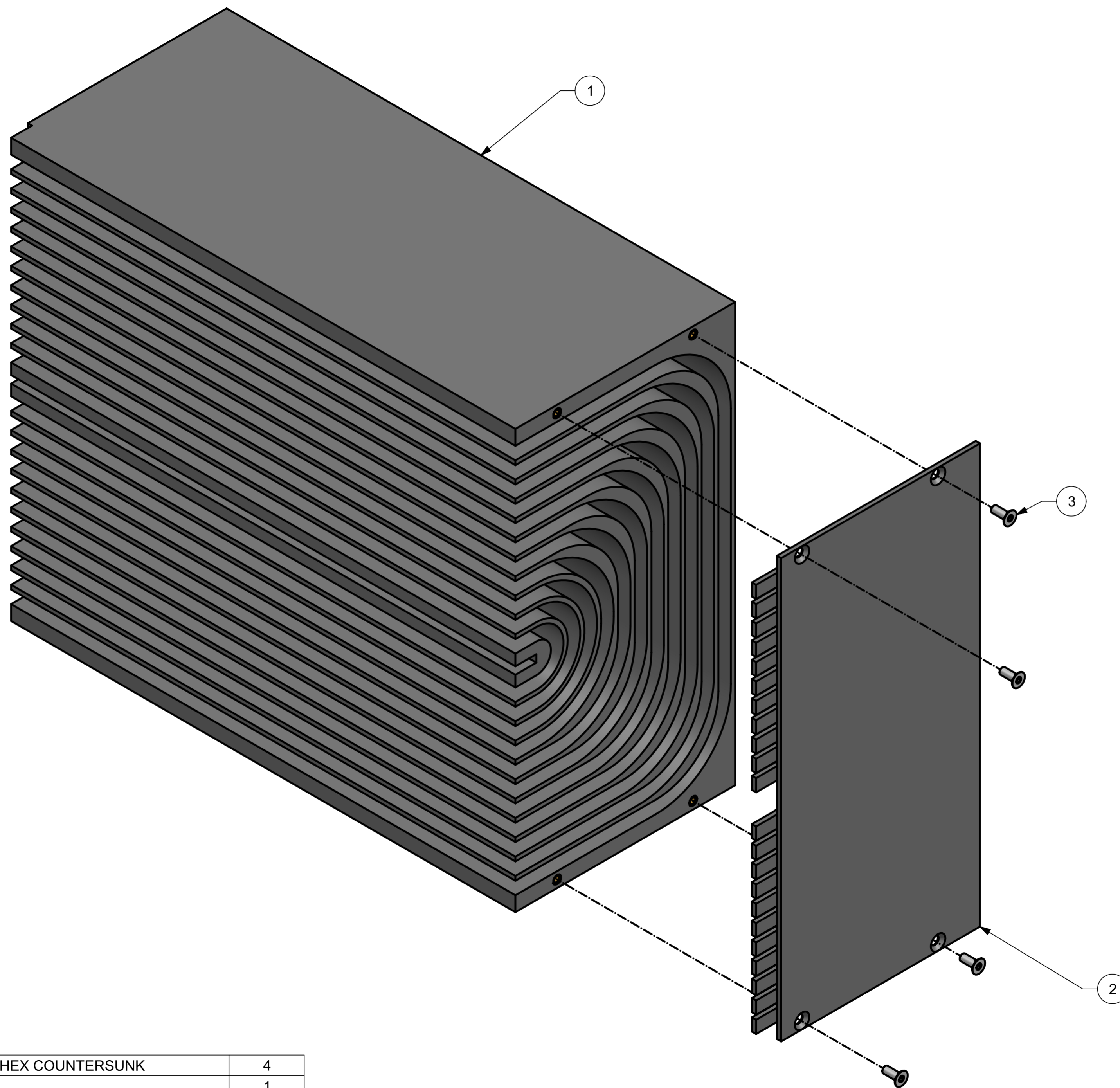
- Required Tools:
- Soldering iron (for threaded inserts)
  - Allen key set

2x



2	CWC-TV0001-P99_TURNING VANES	1
1	BN37885-3794588 M3 THREADED INSERT	4
PC NO	PART NAME	QTY

2x



3	BN616-1076469 M3X8 SCREW HEX COUNTERSUNK	4
2	CWC-TV0002-P99_VANE CAP	1
1	CWC-TV0001-P99_TURNING VANES	1
PC NO	PART NAME	QTY