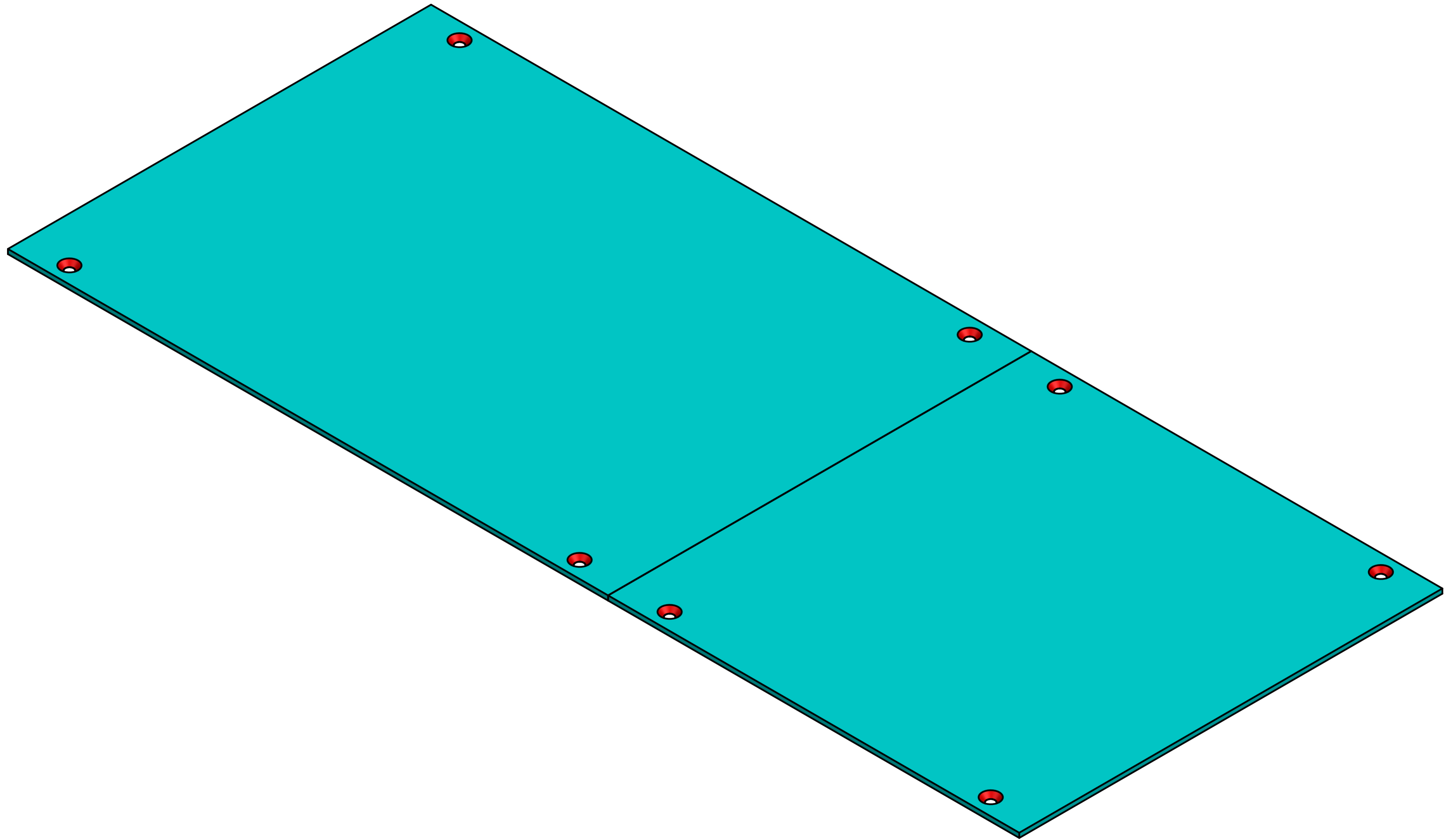


9	CWC-TS0014-P99_PLATFORM REAR	1
8	ABDECKKAPPE PROFIL 5 ITEM 0.0.370.09	8
7	CWC-ST1001-A99_ITEM RIGHT ANGLE	4
6	NUTSTEIN M5 PROFIL 5 ITEM 0.0.425.11	16
5	BN616-1208187 M5X8 SCREW HEX COUNTERSUNK	16
4	WINKEL PROFIL 5 ITEM 0.0.677.77	4
3	CWC-TS0012-P99_ITEM PLATFORM LENGTH	2
2	CWC-TS0013-P99_ITEM PLATFORM HEIGHT	4
1	CWC-TS0011-P99_PLATFORM	1
PC NO	PART NAME	QTY

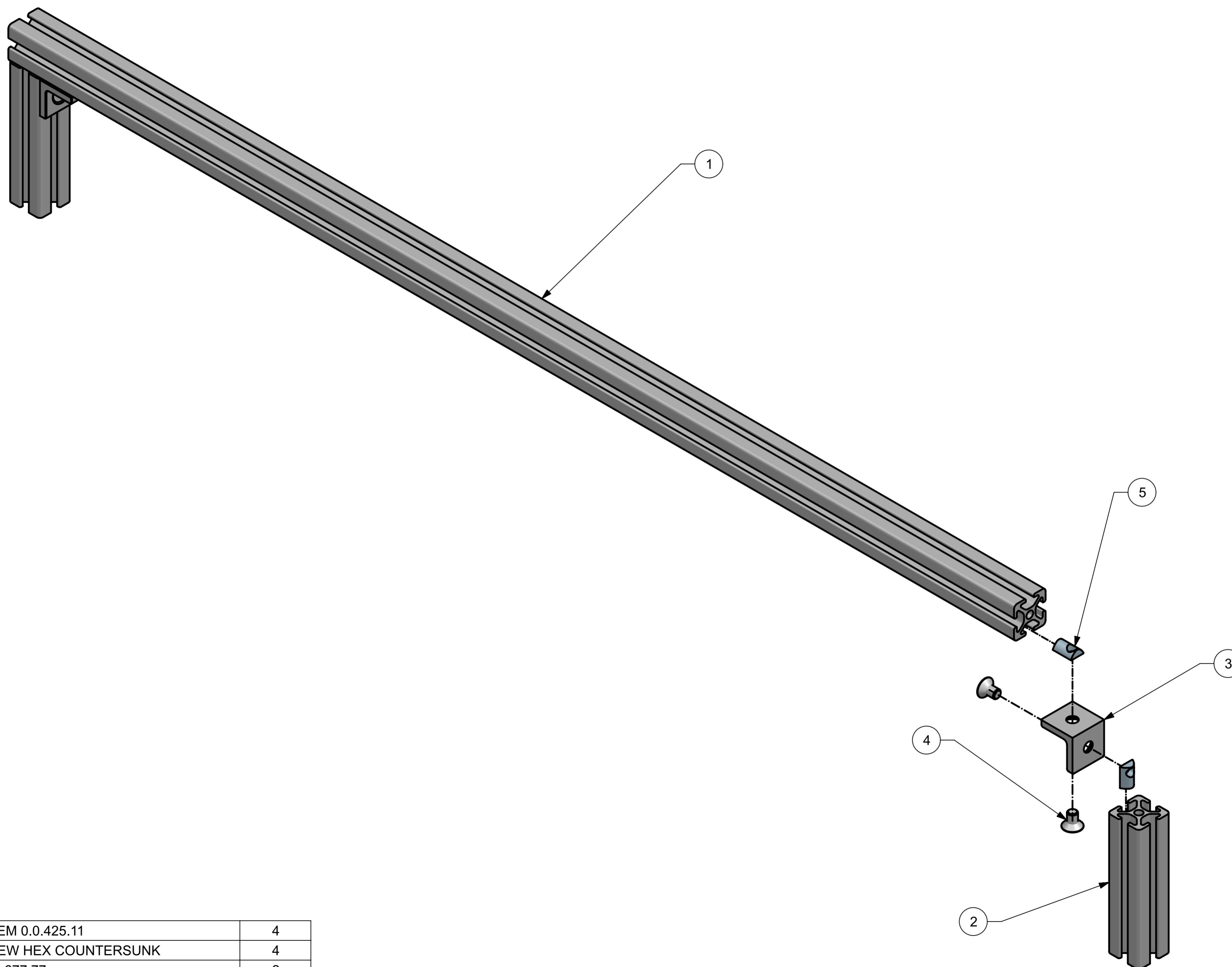
Required Tools:
- Allen key set
- Countersink tool



2	CWC-TS0014-P99_PLATFORM REAR	1
1	CWC-TS0011-P99_PLATFORM	1
PC NO	PART NAME	QTY

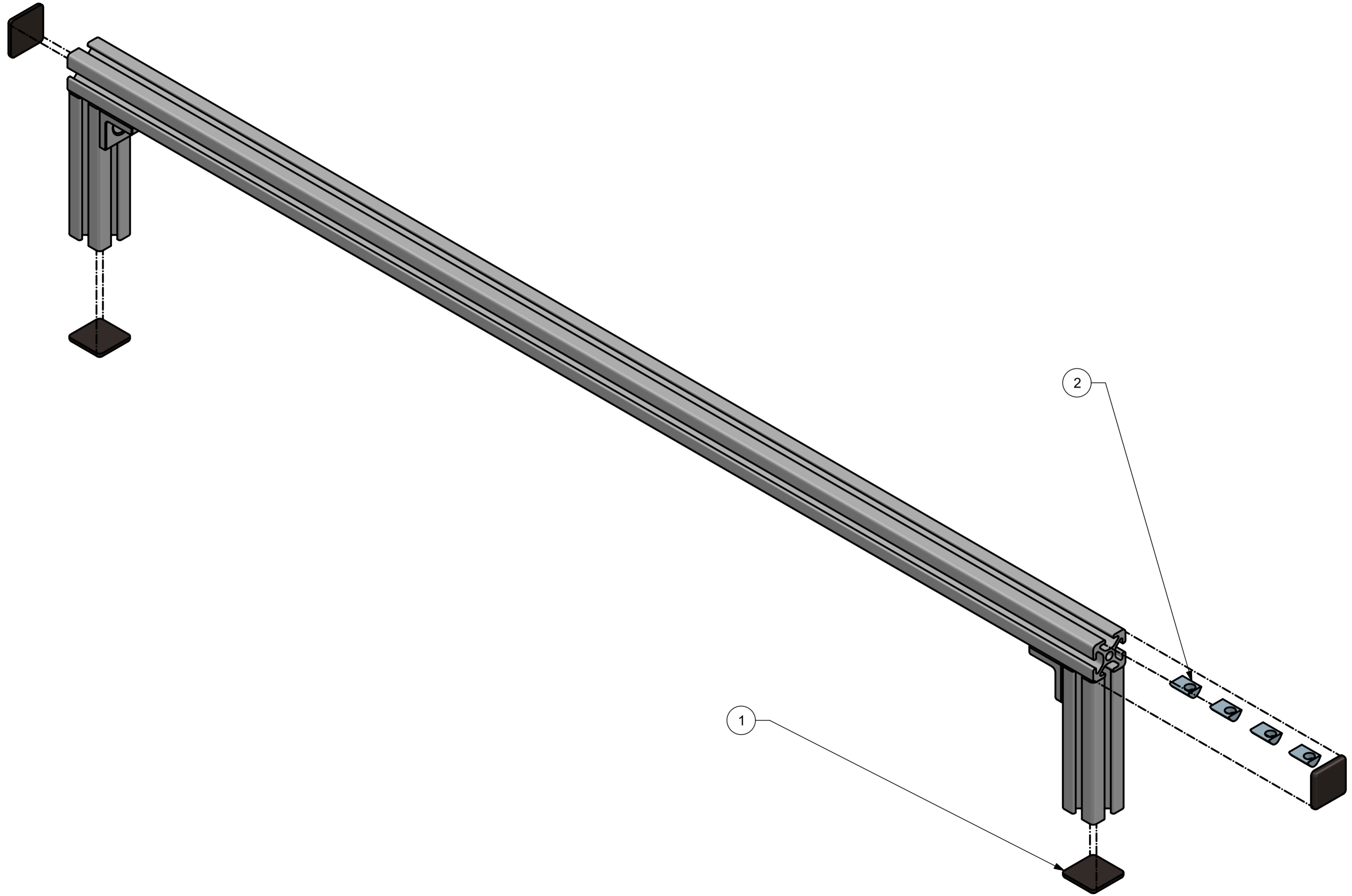
1. Using hand tool or drill, countersink red areas

2x

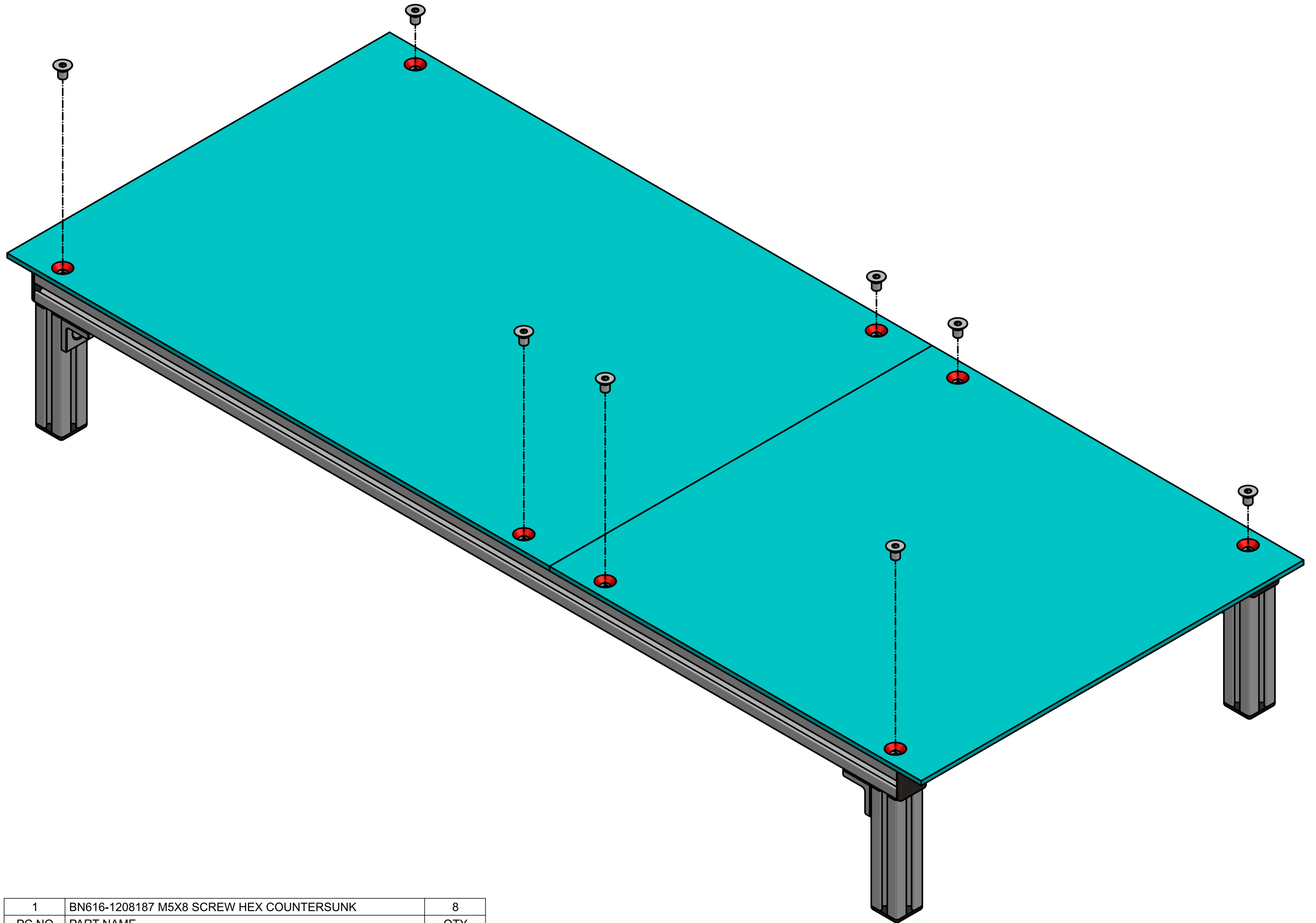


5	NUTSTEIN M5 PROFIL 5 ITEM 0.0.425.11	4
4	BN616-1208187 M5X8 SCREW HEX COUNTERSUNK	4
3	WINKEL PROFIL 5 ITEM 0.0.677.77	2
2	CWC-TS0013-P99_ITEM PLATFORM HEIGHT	2
1	CWC-TS0012-P99_ITEM PLATFORM LENGTH	1
PC NO	PART NAME	QTY

2x



2	NUTSTEIN M5 PROFIL 5 ITEM 0.0.425.11	4
1	ABDECKKAPPE PROFIL 5 ITEM 0.0.370.09	4
PC NO	PART NAME	QTY



1	BN616-1208187 M5X8 SCREW HEX COUNTERSUNK	8
PC NO	PART NAME	QTY