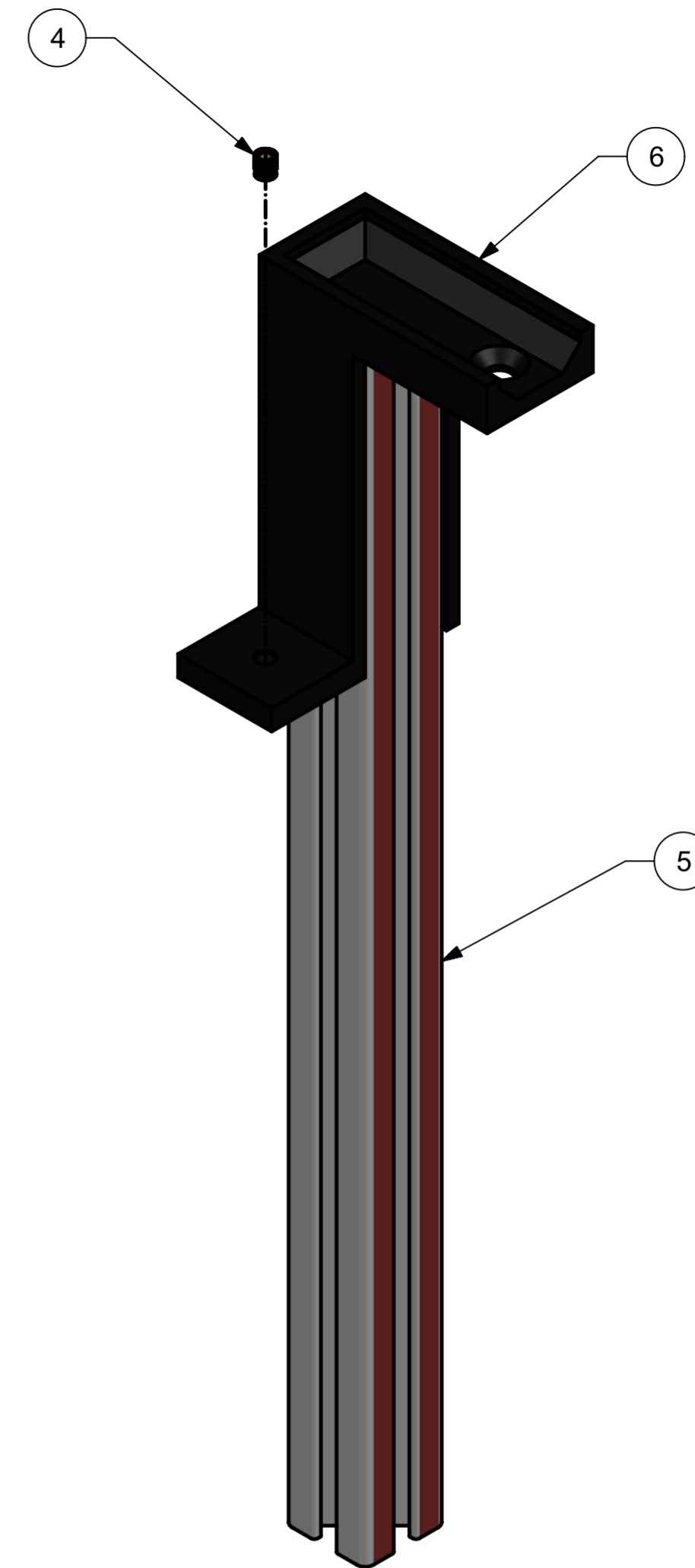
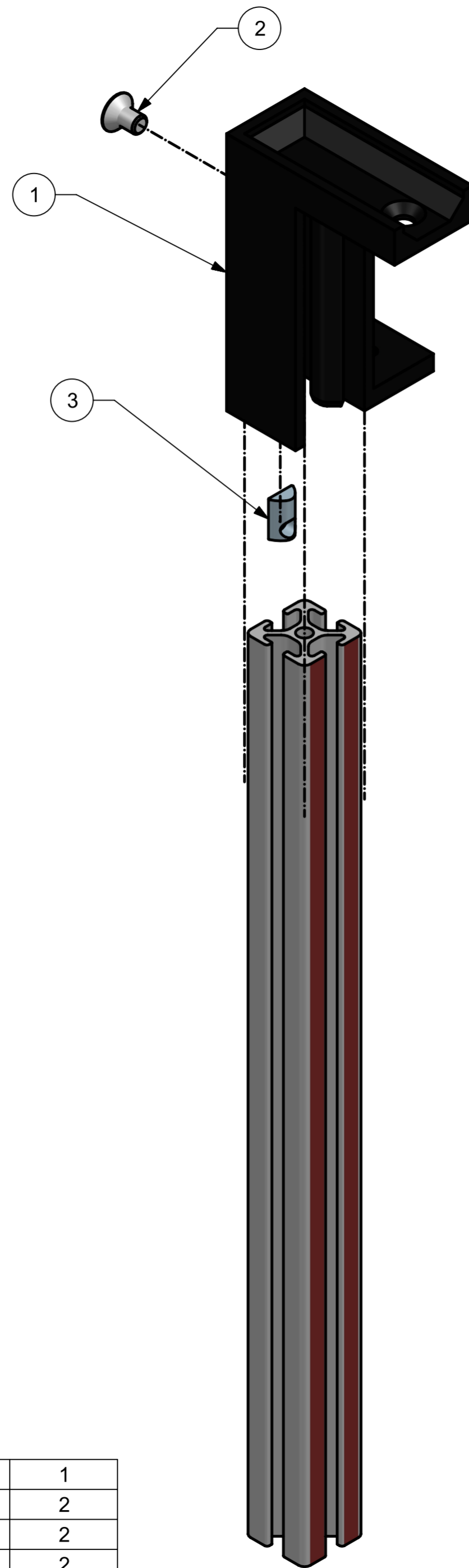


22	CWC-PR0002-P99_PROPULSION ACRYLIC COVER	1
21	BN610-1233262 M5X8 SCREW HEX SOCKET	3
20	BN610-1233114 M3X8 SCREW HEX SOCKET	9
19	BN715-1777491 FLAT WASHER M3	9
18	CWC-EL0000-A99_ELECTRONICS BOX ASSEMBLY	1
17	CWC-ST0011-P99_OVERTANK COLUMN ACRYLIC CONNECTOR MIRRORED	1
16	BN670-1253212 M5 FLAT WASHER	7
15	BN610-1233289 M5X12 SCREW HEX SOCKET	4
14	CWC-ST1005-P04_ITEM FRAME OUTSIDE HEIGHT	2
13	BN37885-3794588 M3 THREADED INSERT	2
12	CWC-ST0010-P99_OVERTANK COLUMN ACRYLIC CONNECTOR	1
11	BN616-1208187 M5X8 SCREW HEX COUNTERSUNK	8
10	NUTSTEIN M5 PROFIL 5 ITEM 0.0.425.11	12
9	CWC-ST0007-P99_OVERTANK CONNECTOR	4
8	CWC-VI0001-A99_CAMERA ASSEMBLY	1
7	CWC-VI0002-A99_LASER ASSEMBLY	1
6	CWC-PR0000-A99_PROPULSION ASSEMBLY	1
5	CWC-CY0000-A99_SENSING ASSEMBLY	1
4	CWC-TS0010-A99_PLATFORM ASSEMBLY	1
3	CWC-TS0000-A99_TS FULL ASSEMBLY	1
2	CWC-TV1000-P99_TURNING VANE ASSEMBLY	2
1	CWC-ST0000-A99_ITEM FRAME ASSEMBLY	1
PC NO	PART NAME	QTY

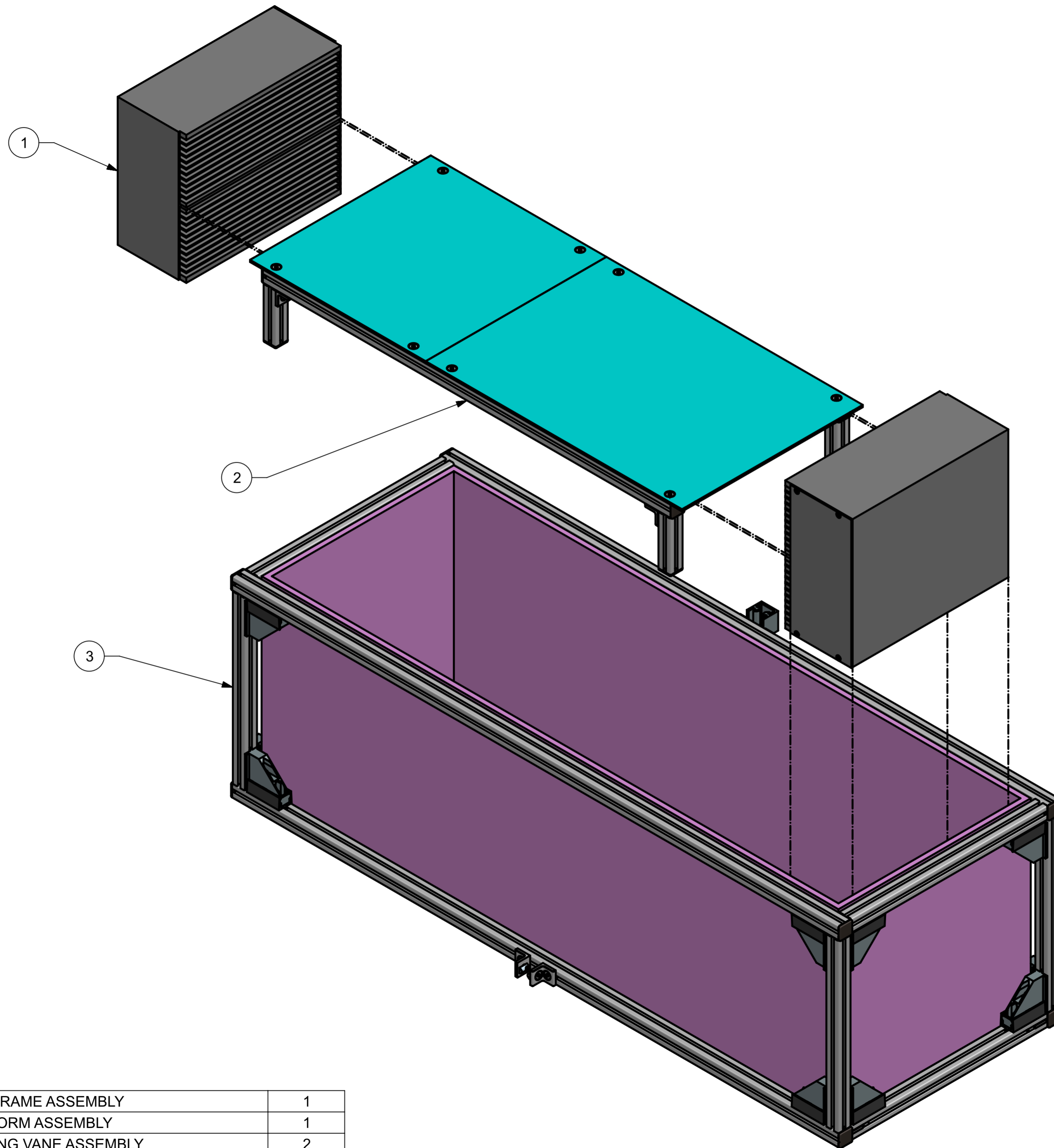
Necessary Tools:

- Allen Key Set

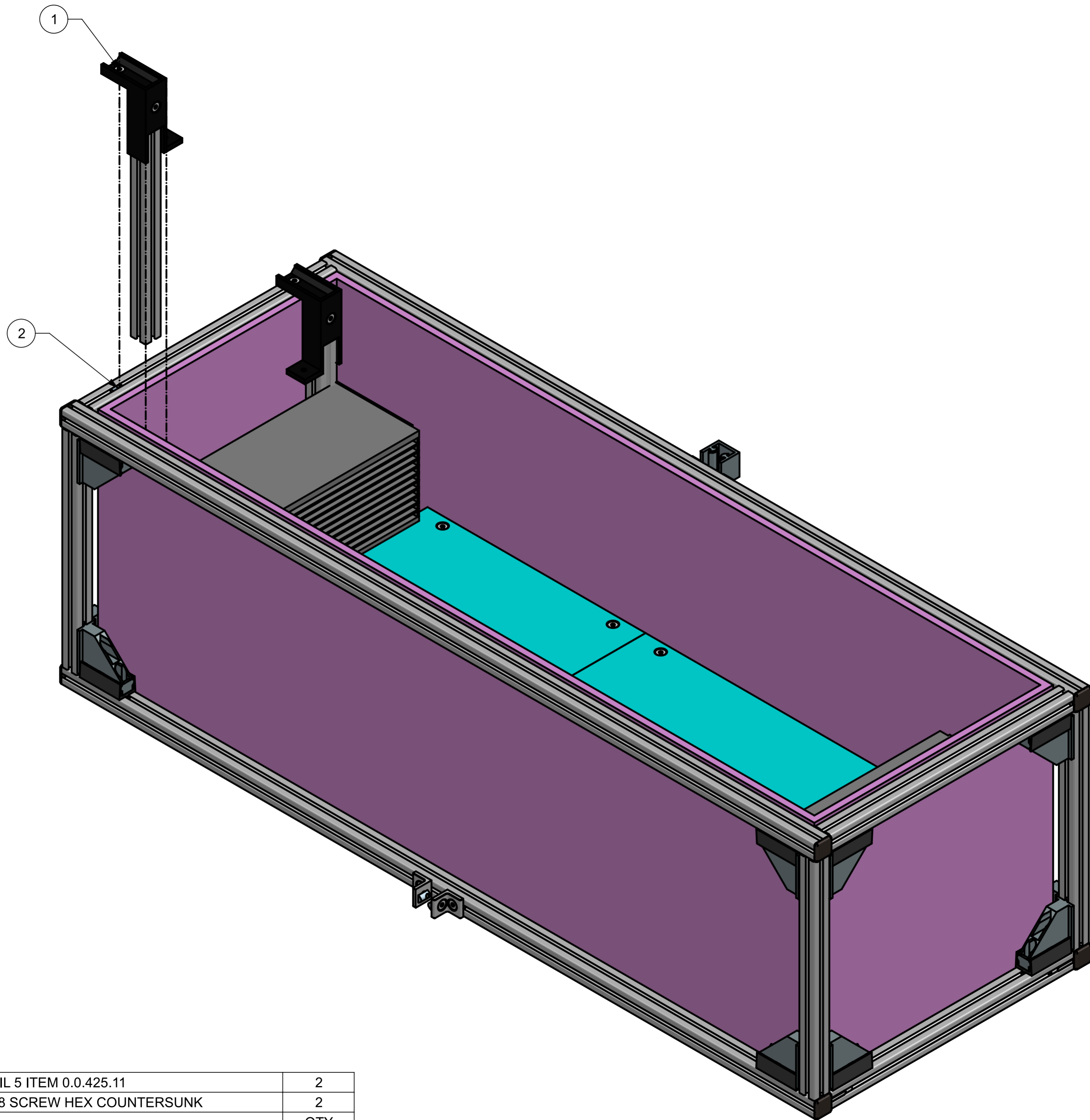


(OPTIONAL) Apply PVC Tape to red areas

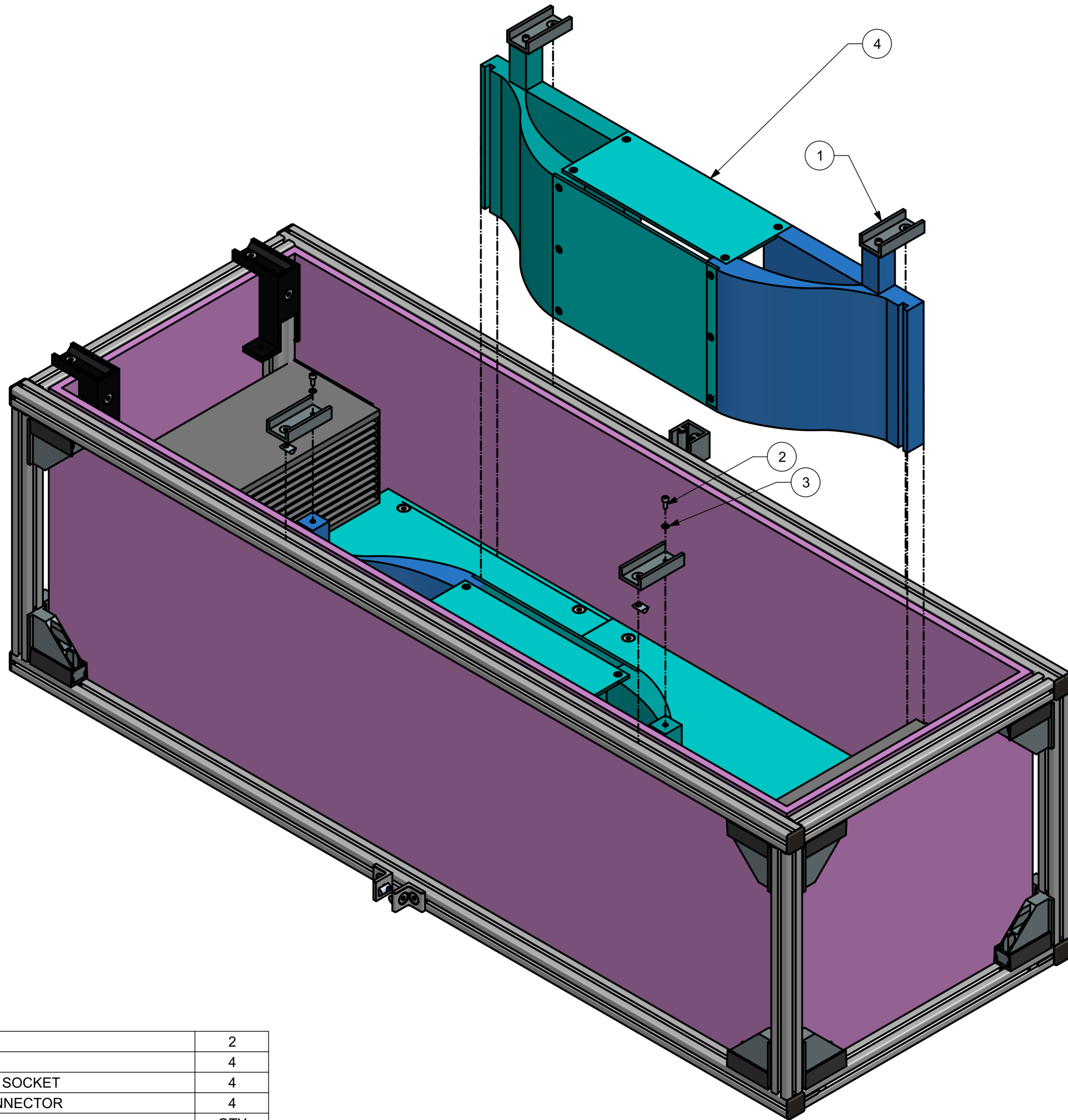
6	CWC-ST0011-P99_OVERTANK COLUMN ACRYLIC CONNECTOR MIRRORED	1
5	CWC-ST1005-P04_ITEM FRAME OUTSIDE HEIGHT	2
4	BN37885-3794588 M3 THREADED INSERT	2
3	NUTSTEIN M5 PROFIL 5 ITEM 0.0.425.11	2
2	BN616-1208187 M5X8 SCREW HEX COUNTERSUNK	2
1	CWC-ST0010-P99_OVERTANK COLUMN ACRYLIC CONNECTOR	1
PC NO	PART NAME	QTY



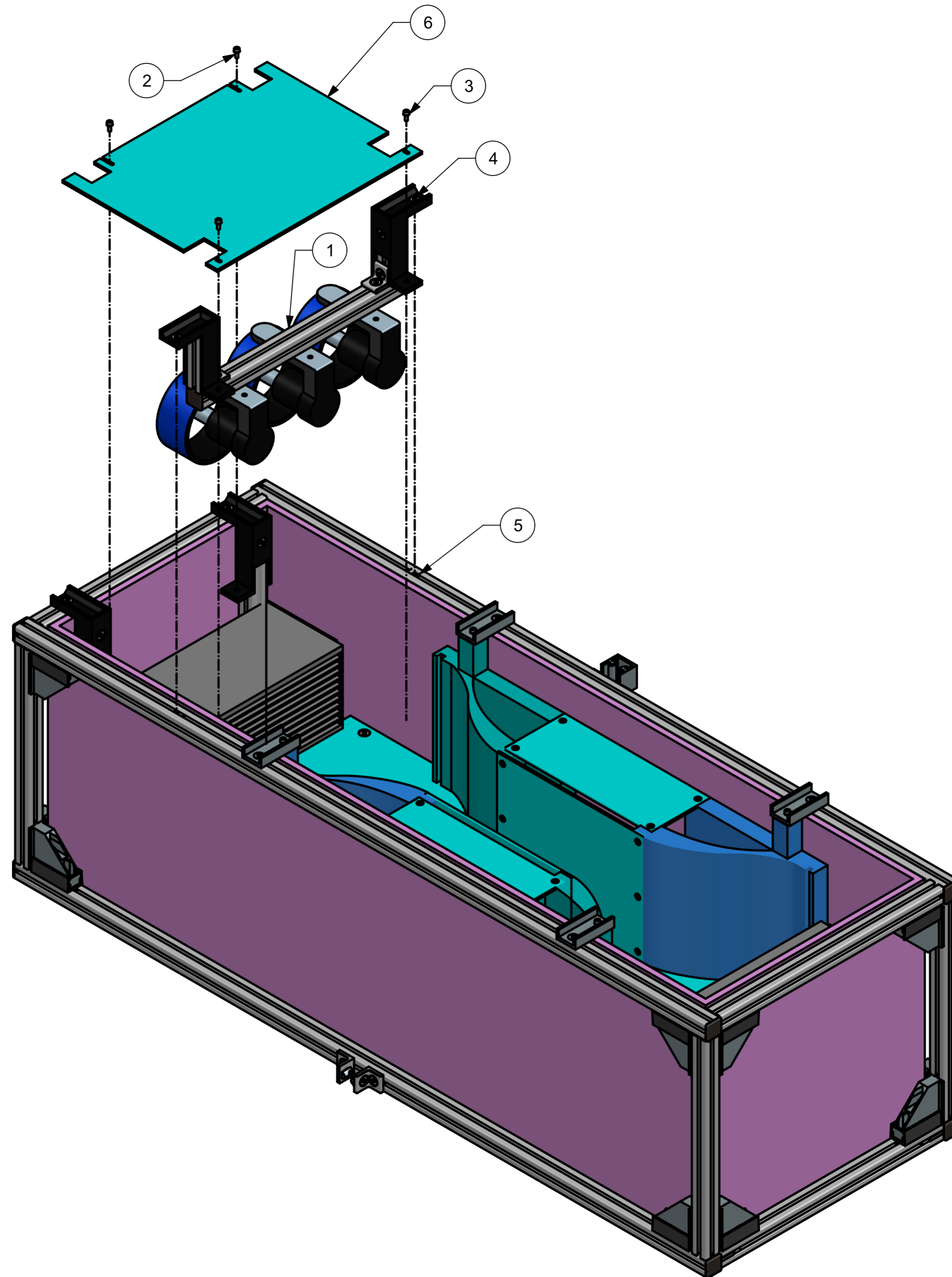
3	CWC-ST0000-A99_ITEM FRAME ASSEMBLY	1
2	CWC-TS0010-A99_PLATFORM ASSEMBLY	1
1	CWC-TV1000-P99_TURNING VANE ASSEMBLY	2
PC NO	PART NAME	QTY



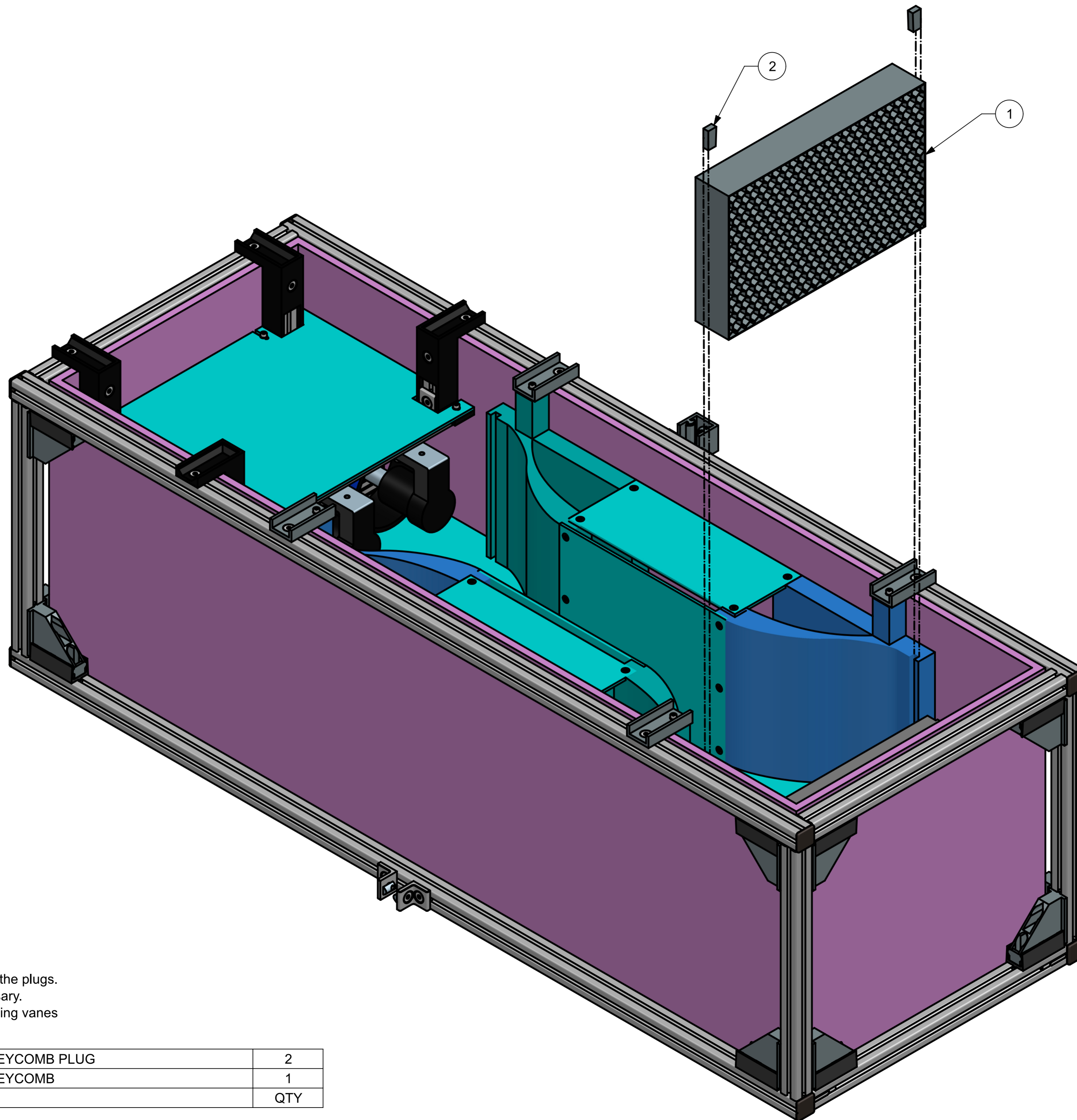
2	NUTSTEIN M5 PROFIL 5 ITEM 0.0.425.11	2
1	BN616-1208187 M5X8 SCREW HEX COUNTERSUNK	2
PC NO	PART NAME	QTY



4	CWC-TS0010-p99_CONTRACTION	2
3	BN715-1777491 FLAT WASHER M3	4
2	BN610-1233114 M3X8 SCREW HEX SOCKET	4
1	CWC-ST0007-P99_OVERTANK CONNECTOR	4
PC NO	PART NAME	QTY

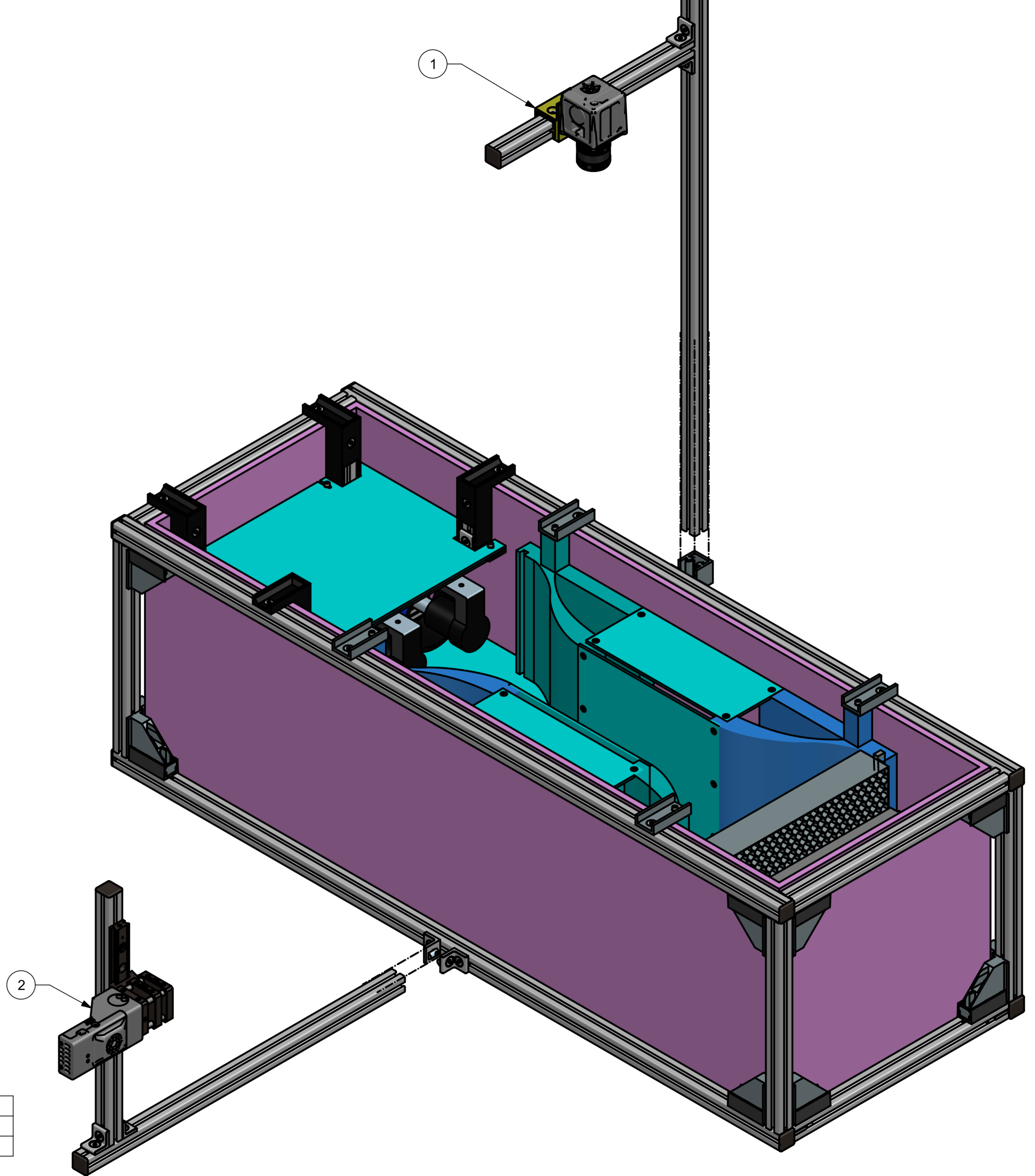


6	CWC-PR0002-P99_PROPULSION ACRYLIC COVER	1
5	NUTSTEIN M5 PROFIL 5 ITEM 0.0.425.11	2
4	BN616-1208187 M5X8 SCREW HEX COUNTERSUNK	2
3	BN715-1777491 FLAT WASHER M3	5
2	BN610-1233114 M3X8 SCREW HEX SOCKET	5
1	CWC-PR0000-A99_PROPULSION ASSEMBLY	1
PC NO	PART NAME	QTY



Squeeze the Honeycomb using the plugs.
 A rubber mallet might be necessary.
 The Honeycombs touch the turning vanes

2	CWC-TS0007-P99_HONEYCOMB PLUG	2
1	CWC-TS0006-P99_HONEYCOMB	1
PC NO	PART NAME	QTY



2	CWC-VI0002-A99_LASER ASSEMBLY	1
1	CWC-VI0001-A99_CAMERA ASSEMBLY	1
PC NO	PART NAME	QTY

4	NUTSTEIN M5 PROFIL 5 ITEM 0.0.425.11	4
3	BN670-1253212 M5 FLAT WASHER	4
2	BN610-1233289 M5X12 SCREW HEX SOCKET	4
1	CWC-CY0000-A99_SENSING ASSEMBLY	1
PC NO	PART NAME	QTY

