

This assembly contains high voltage AC electronics. Thus, it should only be built by a professional.

Many electrical components are not listed here (wires, connectors, crimps, ferrules, etc.), as a professional can be expected to have a well-stocked electronics workshop with these components.

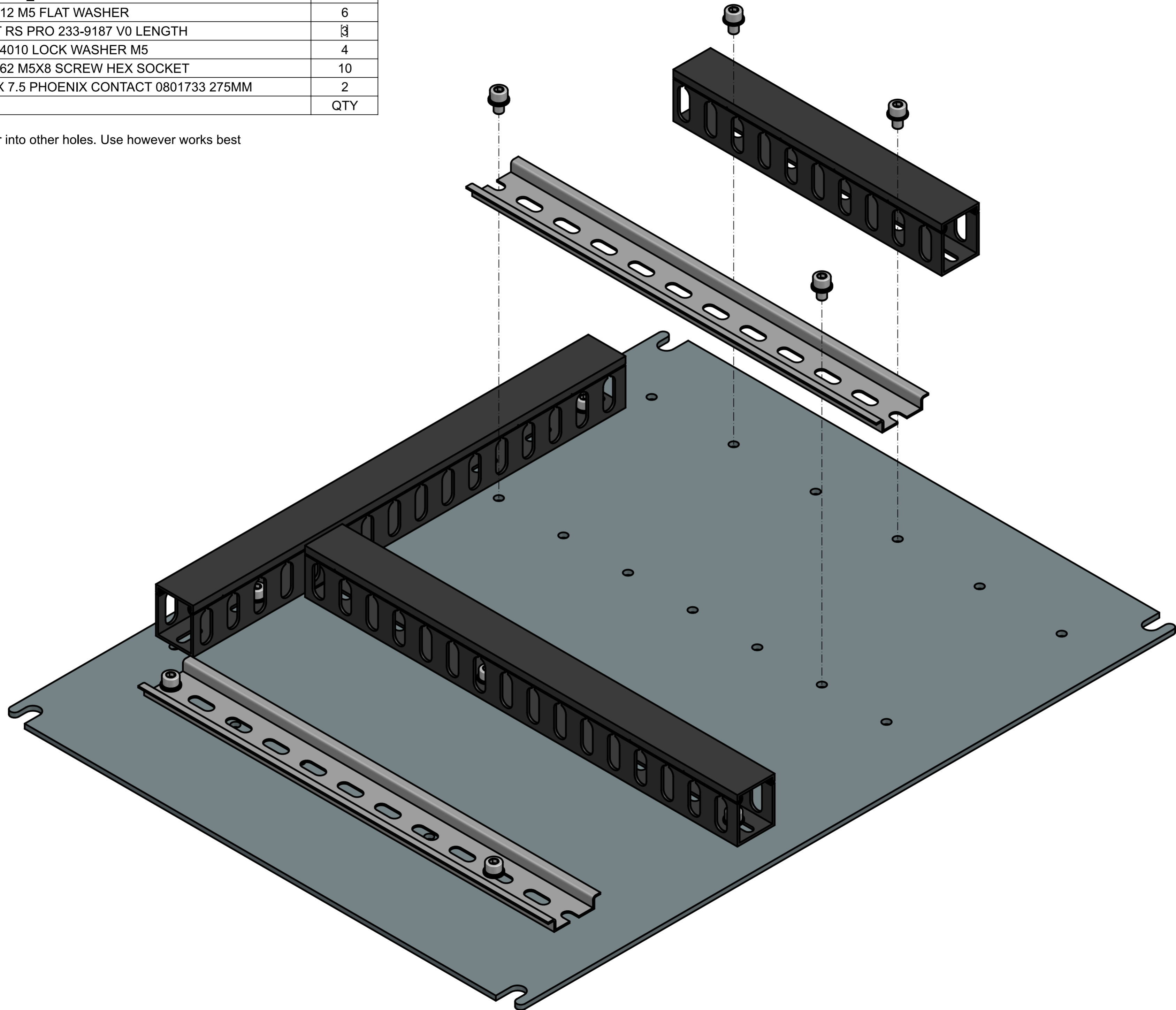
34	CWC-EL0006-P99_TORQUEAMP HOLDER	2
33	AMPLIFIER TRANSMETRA DMS GSV3USB	2
32	CWC-EL0004-P99_MOUNTING PLATE	1
31	POWER SUPPLY 12V PULS MINILINE ML60	1
30	POWER SUPPLY 5V WEIDMÜLLER 2838400000	1
29	TERMINAL BLOCK WAGO 2002-3217	5
28	POWER SUPPLY 5V MEAN WELL MDR-20-5	1
27	CIRCUIT BREAKER HAGER MU 013C	1
26	USB HUB EXSYS EX-11244HMS	1
25	CABLE DUCT RS PRO 233-9187	1
24	DIN RAIL 35 X 7.5 PHOENIX CONTACT 0801733 275MM	2
23	BN670-1253212 M5 FLAT WASHER	6
22	BN80598-8054010 LOCK WASHER M5	4
21	BN610-1233262 M5X8 SCREW HEX SOCKET	10
20	CWC-EL0003-P99_MOLEX PLATE	1
19	CONNECTOR MOLEX MICROFIT 1X2 SOCKET 430200208	1
18	CONNECTOR MOLEX MICROFIT 2X3 SOCKET 430200608	1
17	CONNECTOR MOLEX MINIFIT 2X2 SOCKET 39012041	1
16	CONNECTOR RIBBON ASSMANN AHW 10G-E202-IDC	1
15	BN37885-3794588 M3 THREADED INSERT	10
14	BN610-1233114 M3X8 SCREW HEX SOCKET	30
13	BN715-1777491 FLAT WASHER M3	26
12	CWC-EL0002-P99_CONNECTORS PLATE	1
11	BN616-1076469 M3X8 SCREW HEX COUNTERSUNK	2
10	CONNECTOR AC POWER SCHULTER DC11.0021.001	1
9	BANANA SOCKET 4MM BLACK CINCH 108-0903-001	3
8	BANANA SOCKET 4MM YELLOW CINCH 108-0907-001	3
7	BANANA SOCKET 4MM RED CINCH 108-0902-001	3
6	CONNECTOR ADAFRUIT USB C TO USB A 4259	1
5	DIGITAL POSITIONING CONTROLLER MAXON 546047 EPOS4 50-5	1
4	DIN RAIL ADAPTER USA 10 SERIES PHOENIX CONTACT 1201578	6
3	PERFORATED PROTOTYPING BOARD DFROBOT FIT0203	1
2	EMBEDDED MCU STM NUCLEO-L432KC	1
1	METALLIC ENCLOSURE SCHNEIDER ELECTRIC NSYS3D5425T	1
PC NO	PART NAME	QTY

40	CWC-EL0005-P99_ESC PLATE	1
39	ELECTRONIC SPEED CONTROLLER BI-DIRECTIONAL APISQUEEN 2-6S 100A	3
38	CWC-EL0008-P99_MAXON MOUNT	2
37	CWC-EL0007-P99_LED PANEL	1
36	PANEL LED GREEN VCC PML50SGFVW	1
35	PANEL LED RED VCC PML50SRFVW	1
PC NO	PART NAME	QTY

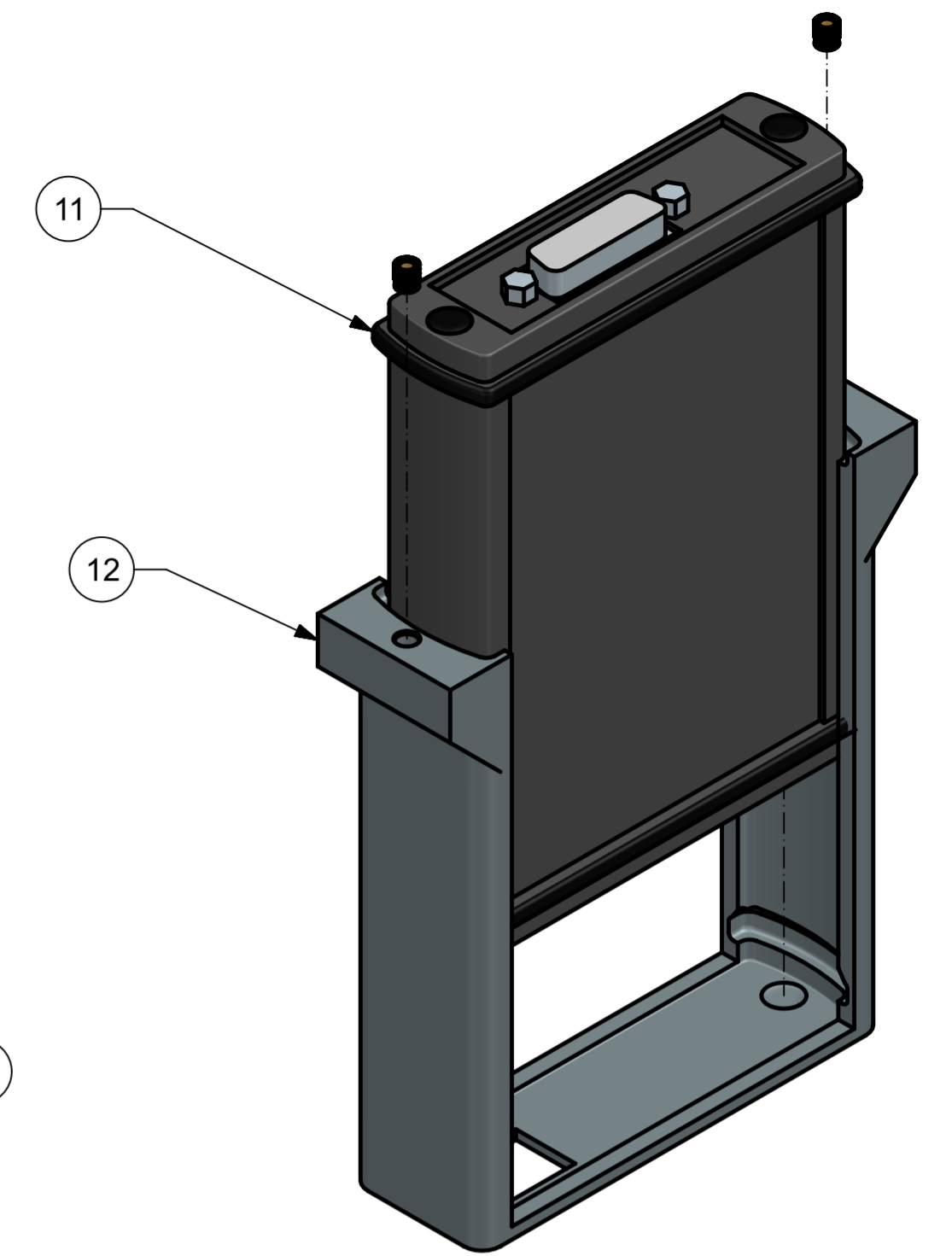
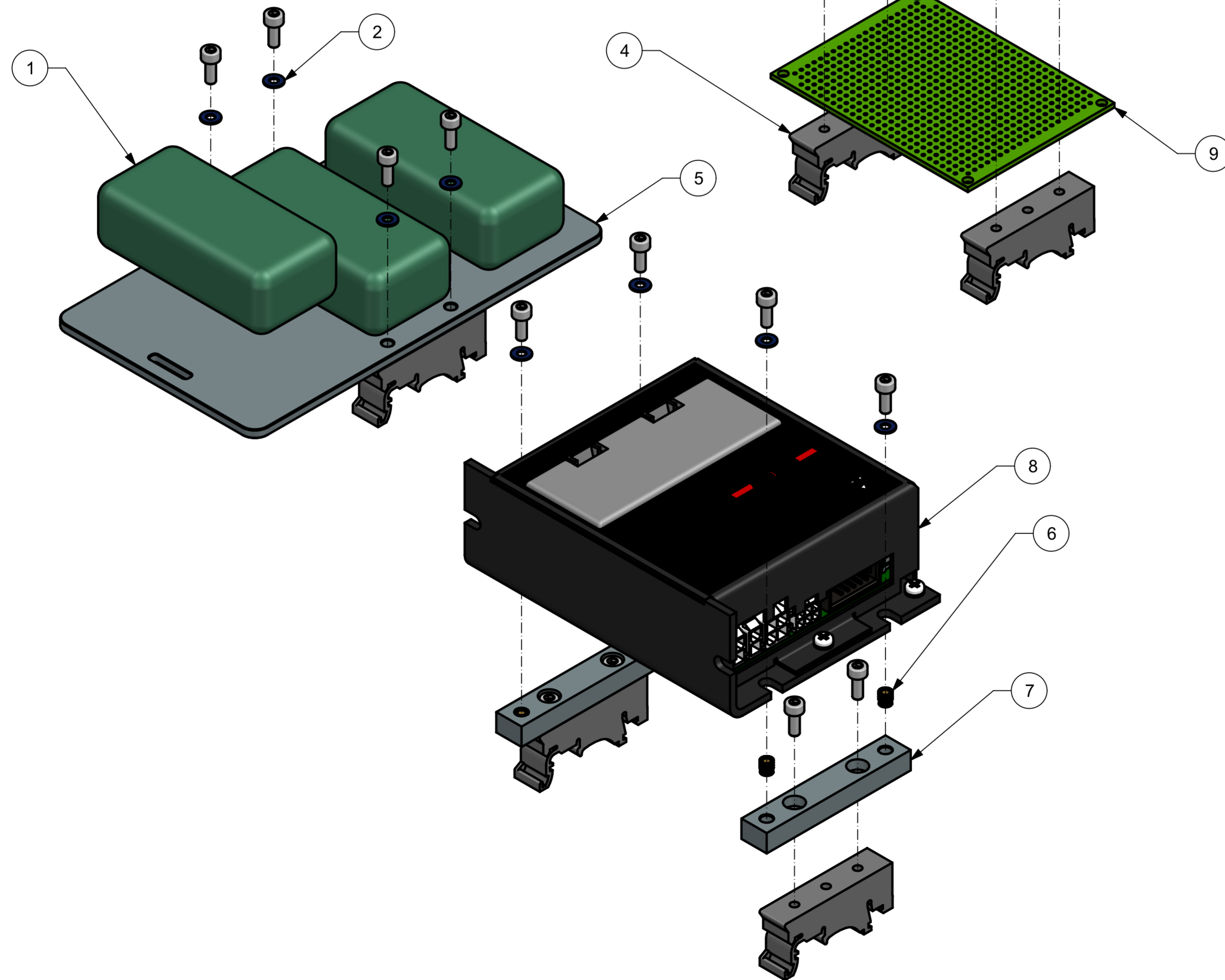
Necessary Tools (mechanical assembly):
- Allen key set

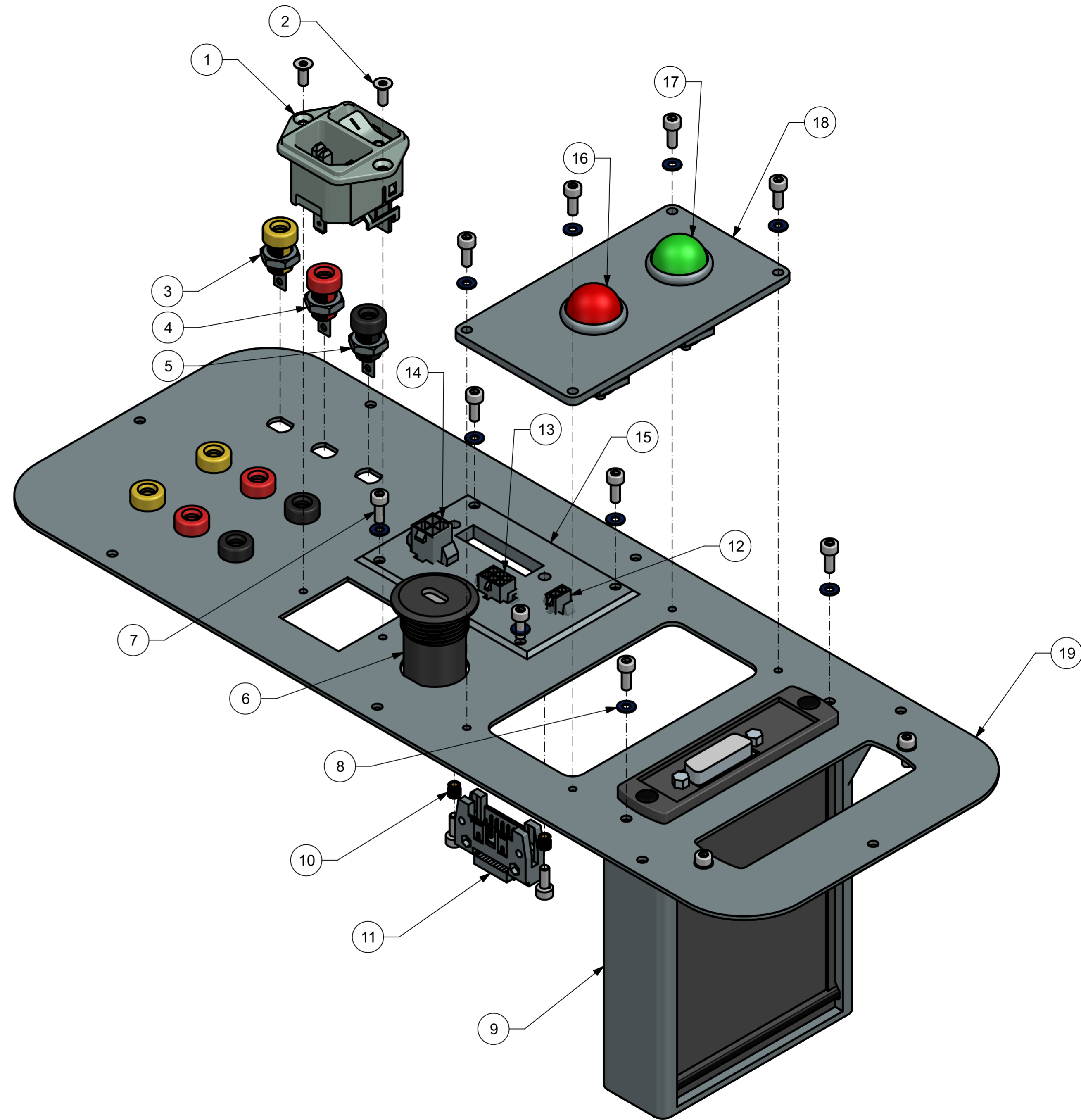
6	CWC-EL0004-P99_MOUNTING PLATE	1
5	BN670-1253212 M5 FLAT WASHER	6
4	CABLE DUCT RS PRO 233-9187 V0 LENGTH	3
3	BN80598-8054010 LOCK WASHER M5	4
2	BN610-1233262 M5X8 SCREW HEX SOCKET	10
1	DIN RAIL 35 X 7.5 PHOENIX CONTACT 0801733 275MM	2
PC NO	PART NAME	QTY

Screws might fit better into other holes. Use however works best



12	CWC-EL0006-P99_TORQUEAMP HOLDER	1
11	AMPLIFIER TRANSMETRA DMS GSV3USB	1
10	EMBEDDED MCU STM NUCLEO-L432KC	1
9	PERFORATED PROTOTYPING BOARD DFROBOT FIT0203	1
8	DIGITAL POSITIONING CONTROLLER MAXON 546047 EPOS4 50-5	1
7	CWC-EL0008-P99_MAXON MOUNT	2
6	BN37885-3794588 M3 THREADED INSERT	6
5	CWC-EL0005-P99_ESC PLATE	1
4	DIN RAIL ADAPTER USA 10 SERIES PHOENIX CONTACT 1201578	6
3	BN610-1233114 M3X8 SCREW HEX SOCKET	16
2	BN715-1777491 FLAT WASHER M3	12
1	ELECTRONIC SPEED CONTROLLER BI-DIRECTIONAL APISQUEEN 2-6S 100A	3
PC NO	PART NAME	QTY





19	CWC-EL0002-P99_CONNECTORS PLATE	1
18	CWC-EL0007-P99_LED PANEL	1
17	PANEL LED GREEN VCC PML50SGFVW	1
16	PANEL LED RED VCC PML50SRFVW	1
15	CWC-EL0003-P99_MOLEX PLATE	1
14	CONNECTOR MOLEX MINIFIT 2X2 SOCKET 39012041	1
13	CONNECTOR MOLEX MICROFIT 2X3 SOCKET 430200608	1
12	CONNECTOR MOLEX MICROFIT 1X2 SOCKET 430200208	1
11	CONNECTOR RIBBON ASSMANN AHW 10G-E202-IDC	1
10	BN37885-3794588 M3 THREADED INSERT	2
9	CWC-EL0006-P99_TORQUEAMP HOLDER	1
8	BN715-1777491 FLAT WASHER M3	12
7	BN610-1233114 M3X8 SCREW HEX SOCKET	14
6	CONNECTOR ADAFRUIT USB C TO USB A 4259	1
5	BANANA SOCKET 4MM BLACK CINCH 108-0903-001	3
4	BANANA SOCKET 4MM RED CINCH 108-0902-001	3
3	BANANA SOCKET 4MM YELLOW CINCH 108-0907-001	3
2	BN616-1076469 M3X8 SCREW HEX COUNTERSUNK	2
1	CONNECTOR AC POWER SCHULTER DC11.0021.001	1
PC NO	PART NAME	QTY

Give the pre-assembled components and circuit diagram to an electronics engineer to ensure a reliable and safe electronics cabinet