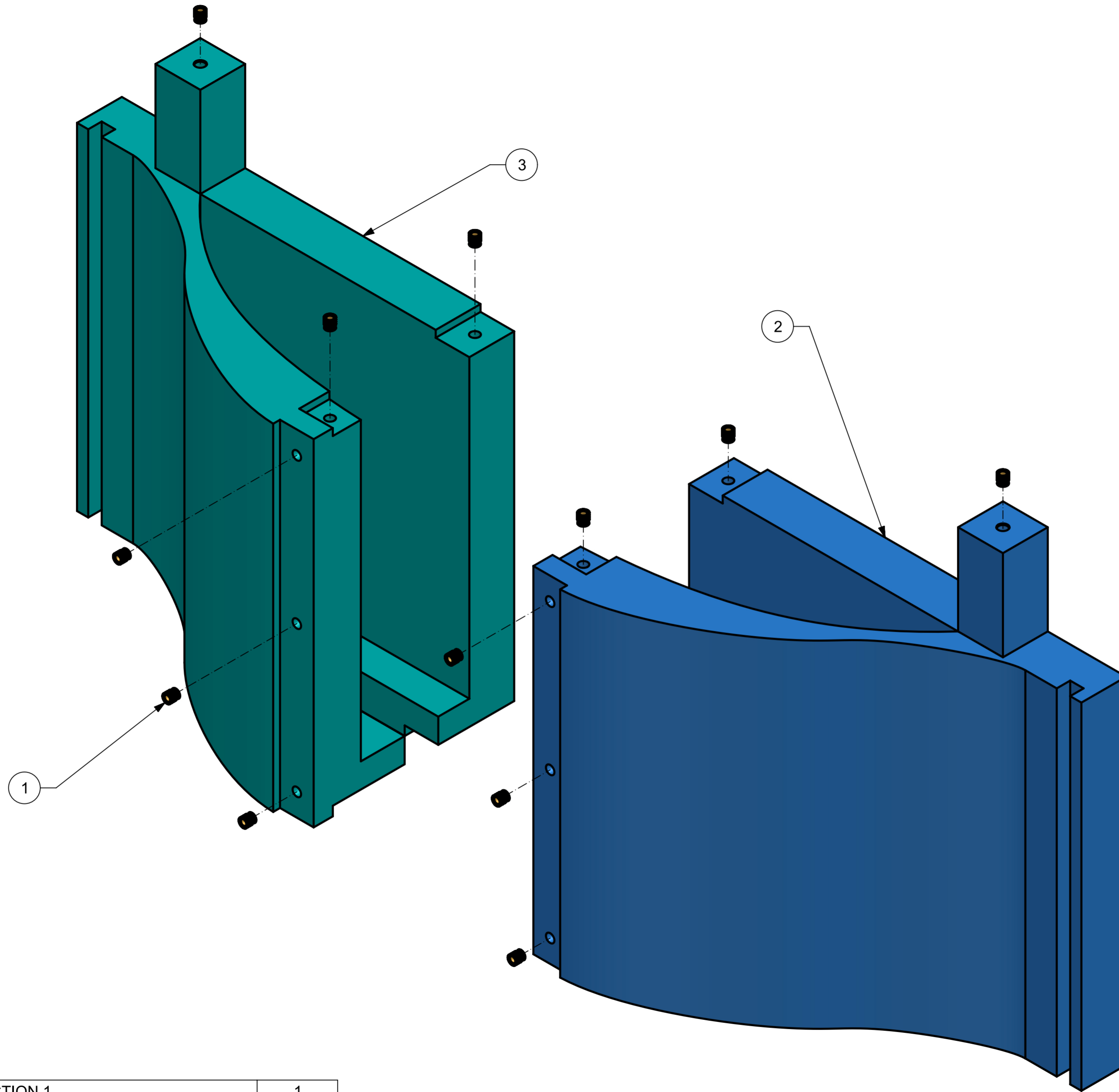


11	CWC-TS0002-P99_CONTRACTION 2 MIRRORED	2
10	CWC-TS0001-P99_CONTRACTION 1	2
9	BN37885-3794588 M3 THREADED INSERT	24
8	CWC-TS0004-P99_TEST SECTION PATCH 2	2
7	CWC-TS0003-P99_TEST SECTION PATCH 1	2
6	BN616-1076469 M3X8 SCREW HEX COUNTERSUNK	20
5	CWC-TS0006-P99_HONEYCOMB	1
4	CWC-TS0007-P99_HONEYCOMB PLUG	2
3	WINKEL PROFIL 5 ITEM 0.0.677.77	4
2	BN616-1208187 M5X8 SCREW HEX COUNTERSUNK	8
1	NUTSTEIN M5 PROFIL 5 ITEM 0.0.425.11	8
PC NO	PART NAME	QTY

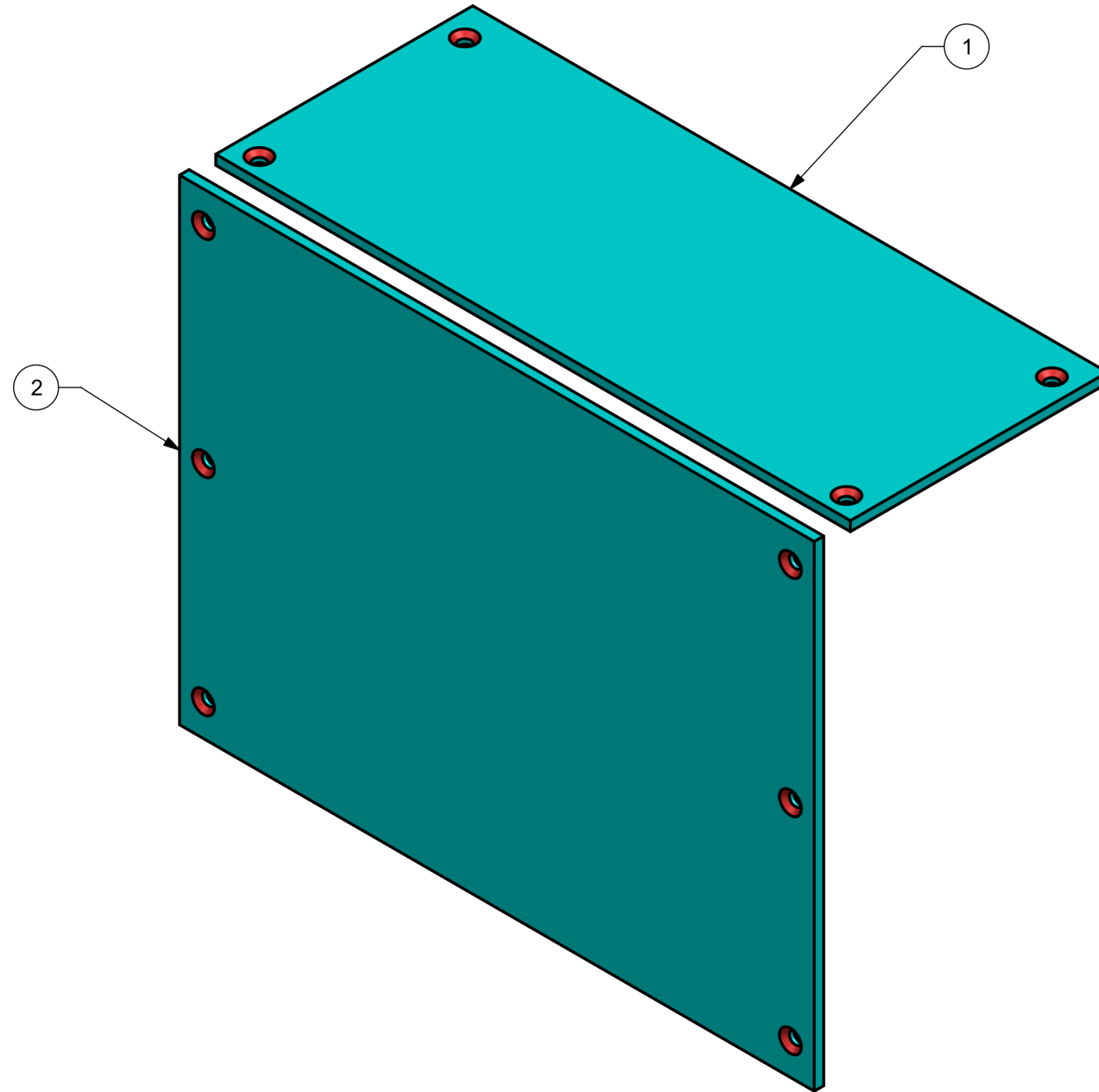
- Required Tools:
- Solder iron (for threaded inserts)
 - Allen key set
 - Countersink tool

2x



3	CWC-TS0001-P99_CONTRACTION 1	1
2	CWC-TS0002-P99_CONTRACTION 2 MIRRORRED	1
1	BN37885-3794588 M3 THREADED INSERT	12
PC NO	PART NAME	QTY

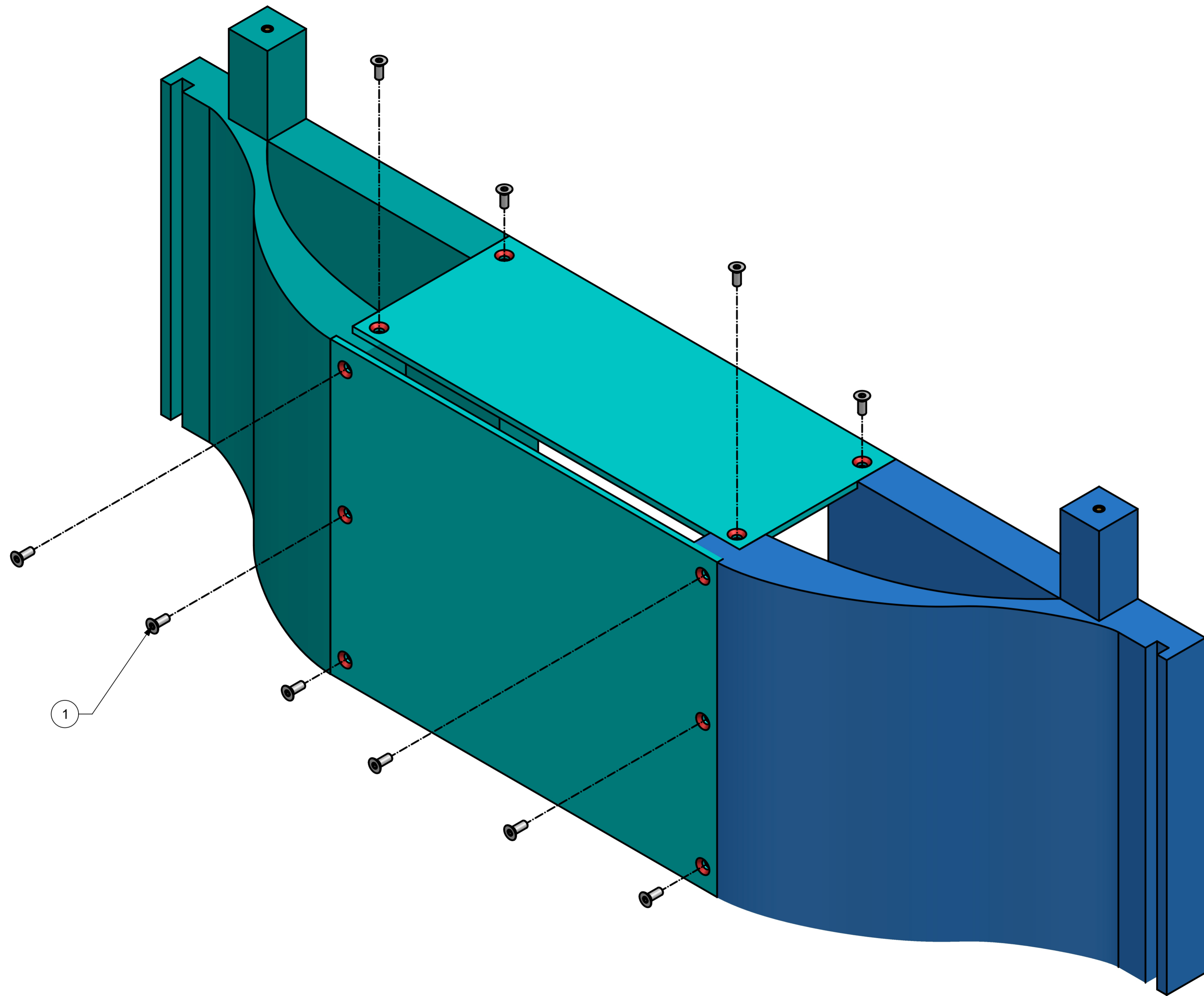
2x



2	CWC-TS0004-P99_TEST SECTION PATCH 2	1
1	CWC-TS0003-P99_TEST SECTION PATCH 1	1
PC NO	PART NAME	QTY

Countersink the red areas by hand or using a drill

2x



1	BN616-1076469 M3X8 SCREW HEX COUNTERSUNK	10
PC NO	PART NAME	QTY